

# Installation Instructions

\*\*\*URGENT: READ PRIOR TO ATTEMPTING INSTALLATION\*\*\*

## SPECIALTY LIGHTING - 12V LED PUCK LIGHT

ALWAYS TURN OFF MAIN POWER BEFORE INSTALLATION

Item#	Description	Rating
NMPK1-3LED NMPK2-3LED30	12V LED Puck Light 12V LED Puck Light Kit	3 LEDs 4.2 Watts 9 LEDs 12.6 Watts

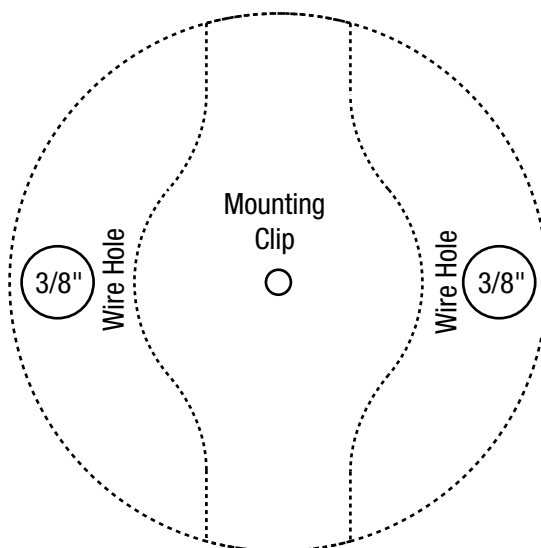
### Caution:

- All installations should comply with National and local electrical codes.
- This system is intended to be installed with a Class II 12VDC LED Driver
- Read all instructions thoroughly before starting installation.
- Turn off power before modifying/installing the system.
- This fixture can only be used with Nora Lighting's fixtures, accessories, and Class II LED Drivers.
- Maximum number of fixtures per run should not exceed power supply wattage rating or exceed 90 feet.
- **Note:** After determining the layout of the system, add the wattage of each system component together to calculate the total system consumption. The component wattages are marked on the products themselves. The calculated total system consumption should be equal or less than the 12VDC Class II power supply rating that is being used.
- cETLus Listed for use in Dry Locations.

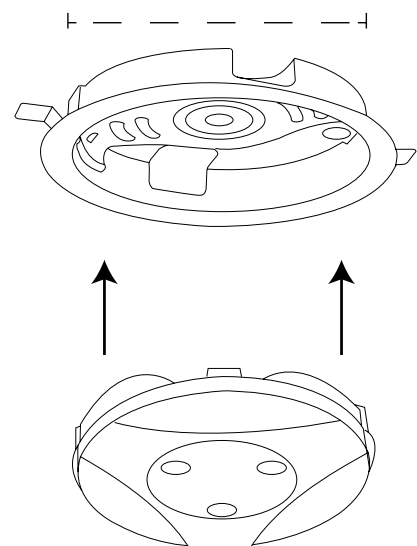
### Installation Instructions:

1. Determine the layout of the system and distance between LED Driver and LED Puck Lights to use correct interconnection cable lengths and power line interconnector cable length. Determine if installation will have wire(s) running out of back of LED Puck Light or wires will be shown on mounting surface (Cut out template provided for running wire(s) out of back).
2. Determine the desired location for mounting the LED Puck Light. The mounting surface should be a minimum of 1/2" thick.
3. Position the fixture against mounting surface and mark position of LED Puck Light. Remove LED Puck Light from mounting clip and install mounting clip alone onto surface with supplied screw (Use cut out template for running wire(s) out of back to cut out input and output wire hole if necessary).
4. Connect power line interconnector into either male connector of the LED Puck Light and feed the power line interconnector with a 12V Class II LED Driver. The other male connector in the LED Puck Light can be used to daisy chain up to 10 LED Puck Lights together using interconnection cables included (longer interconnection cables are available). Multiple interconnection cables can be joined together to create custom lengths with Mini Coupler (NAPK-713).

### Cut out template for running wire(s) out of back:



### Cutout Dimension: 2-7/8"



INSTALLATION SHOULD BE CARRIED OUT BY YOUR LOCAL ELECTRICIAN.