

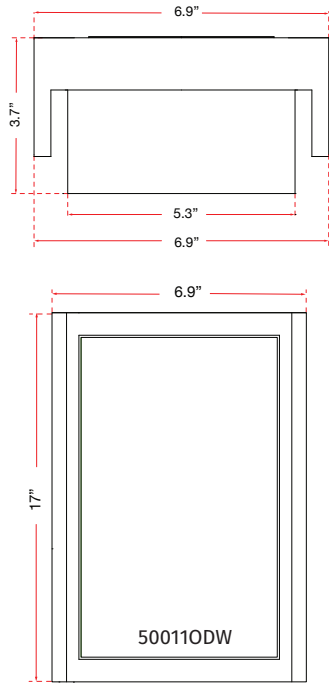


ABRA MODEL **500110DW-SL**

Wet Location Miter Glass LED Wall

FAMILY NAME **Titon**

UPC **00810035190726**



FIXTURE MATERIAL				FIXTURE DIMENSIONS IN INCHES										
Frame Material	Finishes Available	Diffuser Type	Diffuser Finish	Diameter	Height	o.a.h	Width	Length	Ext	Weight	ADA	Location	Rating	Compliance
Steel	SL-Silica MB-Matt Black	Glass	Frosted		17	10	6.9		3.7		Compliant	Wall Mount only	Wet Location	cETL
LAMPING										Compatible Dimmers		Junction Box Type		SUPPLIED
Lamp Type	Lamp qty	Wattage	Max Wattage	Base	Kelvin	CRI	Initial Lumen's	Delivered Lumen's	Voltage			Standard 4 x 4 Octagon Box		
LED	1	20w	20w	Solid State Module	3000k	90+	1700	1190 estimated	120v					
SPECIAL NOTES														

ABRA LIGHTING
NEOTERIC DESIGN

4575 Carter Court Chino California 91710
Phone: 949-940-1155 • Toll Free 800-295-7121
www.abralighting.com

Project Name				
Date		Type		