

ASSEMBLY INSTRUCTION

Model# 2906BK

ATTENTION:

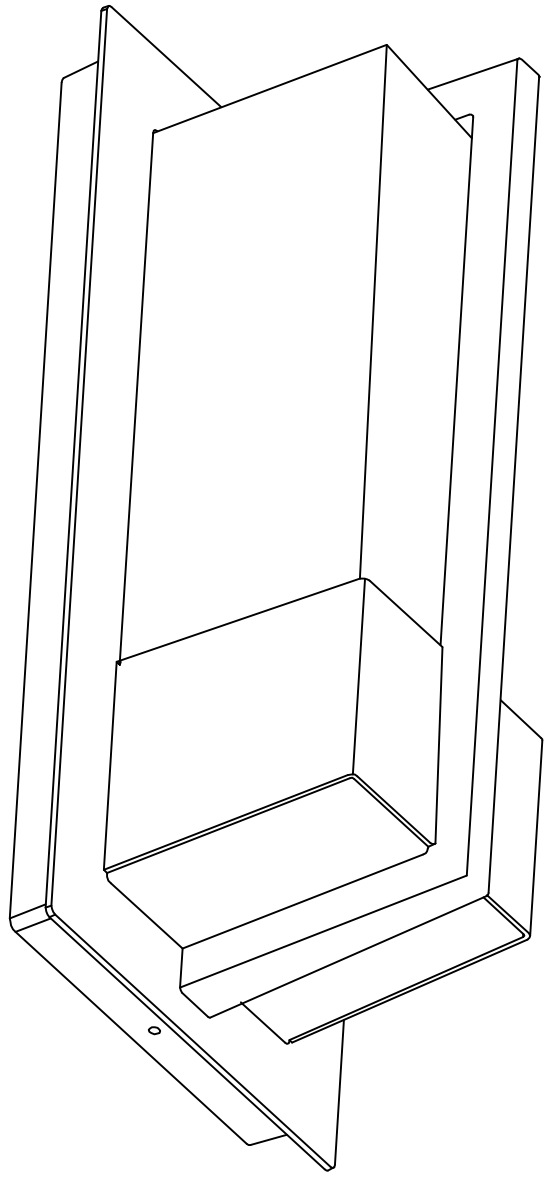
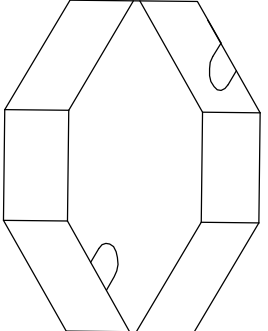
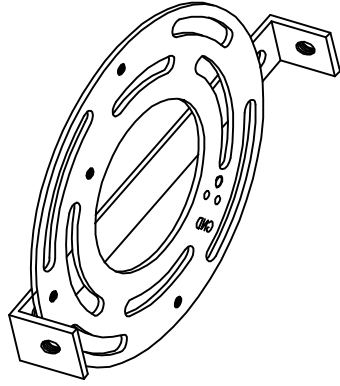

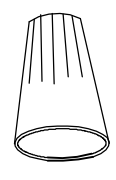
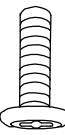
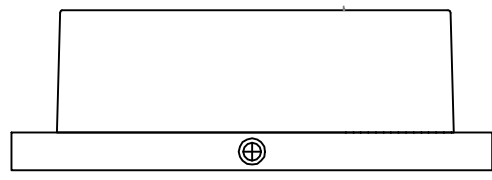
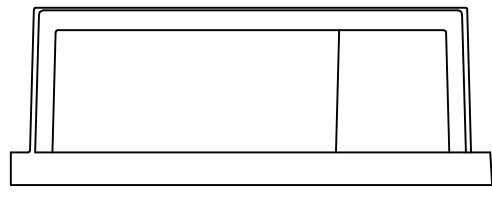
FIXTURE INSTALLATION MUST BE DONE BY LICENSED ELECTRICIAN.

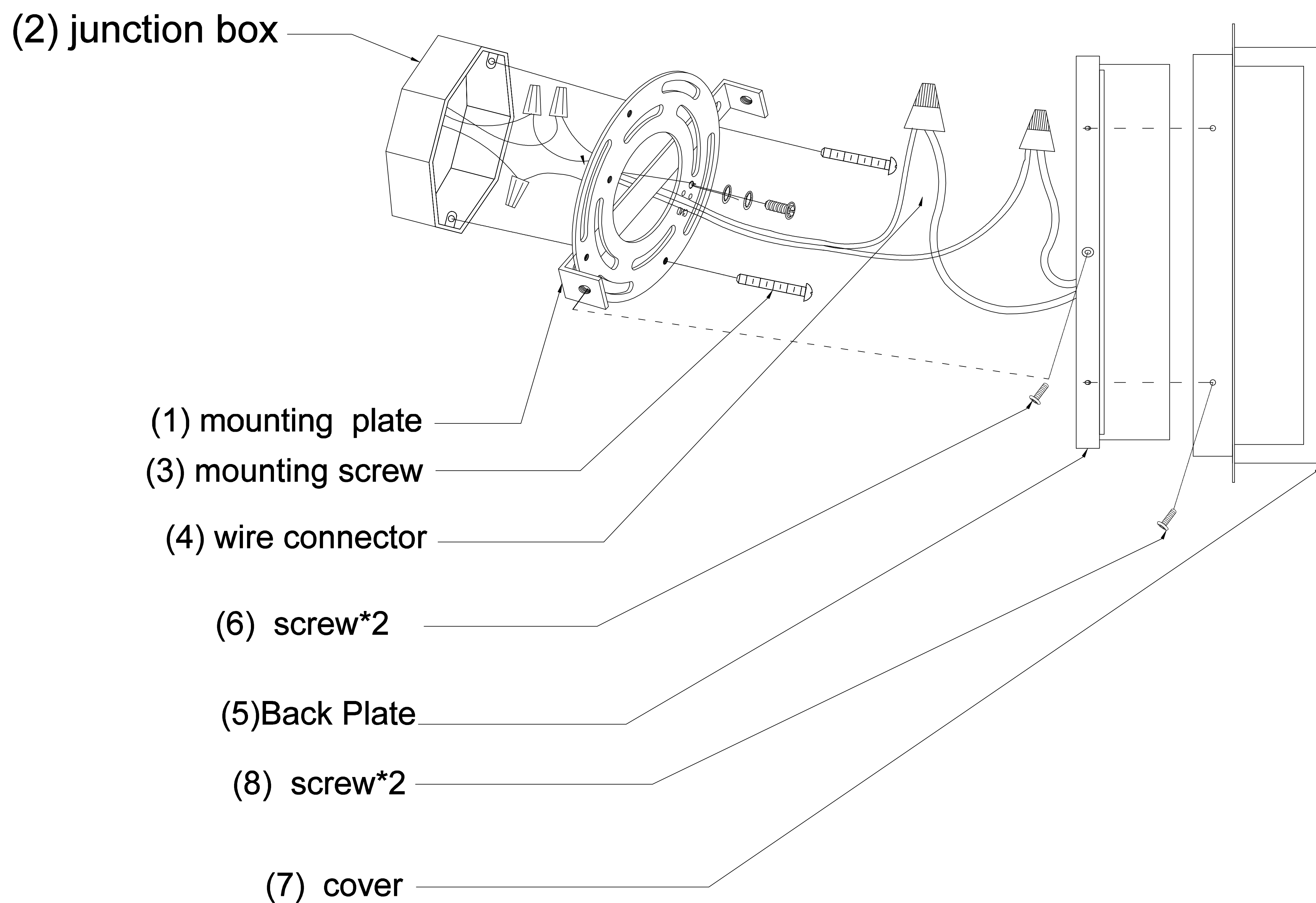
SHUT OFF POWER SUPPLY AT FUSE OR CIRCUIT BREAKER.

USE ONLY THE SPECIFIED BULBS AND DO NOT EXCEED THE MAXIMUM WATTAGE.

BEFORE YOU INSTALL:

1. Check the fixture frame for any physical damage
2. Check all parts and crystals to ensure they are not damaged or missing
3. Test all sockets with a bulb for conductivity before "dressing" the fixture
4. If there is any problem, please do not install the fixture, please contact the vendor and solve the problem first.

	 not induded no incluido non inclus X1	 X1	 X2	 X3	
	 X4	 X1	 X1		



Please turn off power to the outlet and review instructions before installation. The installation must be handled by a qualified licensed electrician. Also, be sure to turn off power before changing the bulb or cleaning the fixture.

1. Remove the screw (8) and then take out the back plate (5).
2. Take out the mounting plate (1) from the back plate (5)
3. Fix the mounting plate (1) to the junction box (2) by mounting screw (3)
4. Connect the wire by using the wire connector (4). (Note: Connect the black wire to the black (Live), the white wire to the white (Neutral), and the ground wire to the ground post). Please pay attention to avoid the wire exposing outside when wiring connections.
5. Fix the back plate (5) to the mounting plate (1) by using the screw (6)
6. Check the lamp properly working by turning on the power, and then turn off the power
7. Fix the cover (7) to the back plate (5) by screw (8)
8. Seal the joint between the cover (7) and the mounting surface by waterproof silicone
9. Installation is complete, turn on the power