

# CRAFTMADE™

READ THESE INSTRUCTIONS AND  
SAVE THEM FOR FUTURE USE



## Garrick Installation Guide

For Model:  
**GAR56**

### Table of Contents:

Safety Tips. pg. 2  
Unpacking Your Fan. pg. 3  
Parts Inventory. pg. 3  
Installation Preparation. pg. 4  
Hanging Bracket Installation. pg. 4  
Fan Assembly. pgs. 5 - 6  
Wiring. pg. 7  
Canopy Assembly. pg. 8  
Blade Assembly. pg. 8  
Light Kit Assembly. pg. 9  
Handheld Remote Control Assembly. pg. 10  
Automated Learning Process./  
    Activating Code. pg. 11  
Remote/Wall Control Operation. pg. 11  
Testing Your Fan. pg. 11  
Troubleshooting. pg. 12  
Warranty. pg. 12  
Parts Replacement. pg. 12



net weight of fan: 31.09 lb (14,1 kg)

PRINTED IN CHINA

# SAFETY TIPS.

**WARNING:** To reduce the risk of electrical shock, turn off the electricity to the fan at the main fuse box or circuit panel before you begin the fan installation or before servicing the fan or installing accessories.

1. **READ ALL INSTRUCTIONS AND SAFETY INFORMATION CAREFULLY BEFORE INSTALLING YOUR FAN AND SAVE THESE INSTRUCTIONS.**

**CAUTION:** To avoid personal injury, the use of gloves may be necessary while handling fan parts with sharp edges.

2. Make sure all electrical connections comply with Local Codes or Ordinances, the National Electrical Code, and ANSI/NFPA 70-1999. If you are unfamiliar with electrical wiring or if the house/building wires are different colors than those referred to in the instructions, please use a qualified electrician.
3. Make sure you have a location selected for your fan that allows clear space for the blades to rotate, and at least seven (7) feet (2.13 meters) of clearance between the floor and the fan blade tips. The fan should be mounted so that the tips of the blades are at least thirty (30) inches (76 centimeters) from walls or other upright structures.
4. The outlet box and ceiling support joist used must be securely mounted, and capable of supporting at least 35 pounds (16 kilograms). The outlet box must be supported directly by the building structure. Use only CETL or CUL (in Canada) or ETL or UL (in USA) listed outlet boxes marked "FOR FAN SUPPORT."

**WARNING:** To reduce the risk of fire, electrical shock, or personal injury, mount to the outlet box marked "Acceptable for Fan Support of 15.9 kg (35 lb) or less," and use the mounting screws provided with the outlet box. Most outlet boxes commonly used for the support of lighting fixtures are not acceptable for fan support and may need to be replaced. Consult a qualified electrician if in doubt.

**WARNING:** To reduce the risk of fire, electrical shock, or personal injury, wire connectors provided with this fan are designed to accept only one 12 gauge house wire and two lead wires from the fan. If your house wire is larger than 12 gauge or there is more than one house wire to connect to the corresponding fan lead wires, consult an electrician for the proper size wire connectors to use.

**WARNING:** If using this fan in a WET location, this fan must be connected to a supply circuit that is protected by a Ground Fault Circuit Interrupter (GFCI) to reduce the risk of personal injury, electrical shock or death.

5. Electrical diagrams are for reference only.
6. After installation is complete, check that all connections are absolutely secure.
7. After making electrical connections, spliced conductors should be turned upward and pushed carefully up into the outlet box. The wires should be spread apart with the grounded conductor and the equipment-grounding conductor on opposite sides of the outlet box.

**WARNING:** To reduce the risk of fire or electrical shock, do not use this fan with any solid state speed control device or control fan speed with a full range dimmer switch. [Using a full range dimmer switch to control fan speed will cause a loud humming noise from fan.]

8. Do not operate the reverse switch until the fan has come to a complete stop.
9. Do not insert anything between the fan blades while they are rotating.

**WARNING:** To reduce the risk of personal injury, do not bend the blade arms during assembly or after installation. Do not insert objects into the path of the blades.

**WARNING:** To avoid personal injury or damage to the fan and other items, be cautious when working around or cleaning the fan.

10. Do not use detergents when cleaning the fan or fan blades. A dry dust cloth or lightly dampened cloth will be suitable for most cleaning.

**WARNING:** To reduce the risk of personal injury, use **only** parts provided with this fan. **The use of parts OTHER than those provided with this fan will void the warranty.**

**WARNING:** This fan MUST be installed with the safety cable provided with the fan. Failure to use the safety cable provided may result in personal injury, damage to the fan or damage to other property.

Modifications not approved by the party responsible for compliance could void the user's authority to operate the equipment. [The equipment refers to the remote and/or wall control and/or LED light kit.]

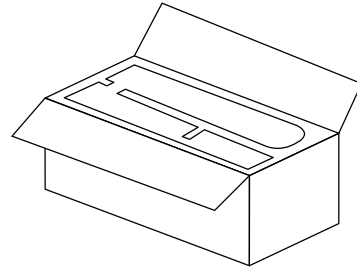
**NOTE:** This equipment has been tested and found to comply with the limits for a Class B digital device, pursuant to Part 15 of the FCC Rules. These limits are designed to provide reasonable protection against harmful interference in a residential installation. This equipment generates, uses and can radiate radio frequency energy and, if not installed and used in accordance with the instructions, may cause harmful interference to radio communications. However, there is no guarantee that interference will not occur in a particular installation. If this equipment does cause harmful interference to radio or television reception, which can be determined by turning the equipment off and on, the user is encouraged to try to correct the interference by one or more of the following measures:

- \* Reorient or relocate the receiving antenna.
- \* Increase the separation between the equipment and receiver.
- \* Connect the equipment into an outlet on a circuit different from that to which the receiver is connected.
- \* Consult the dealer or an experienced radio/TV technician for help.

**NOTE:** The important safety precautions and instructions appearing in the manual are not meant to cover all possible conditions and situations that may occur. It must be understood that common sense and caution are necessary factors in the installation and operation of this fan.

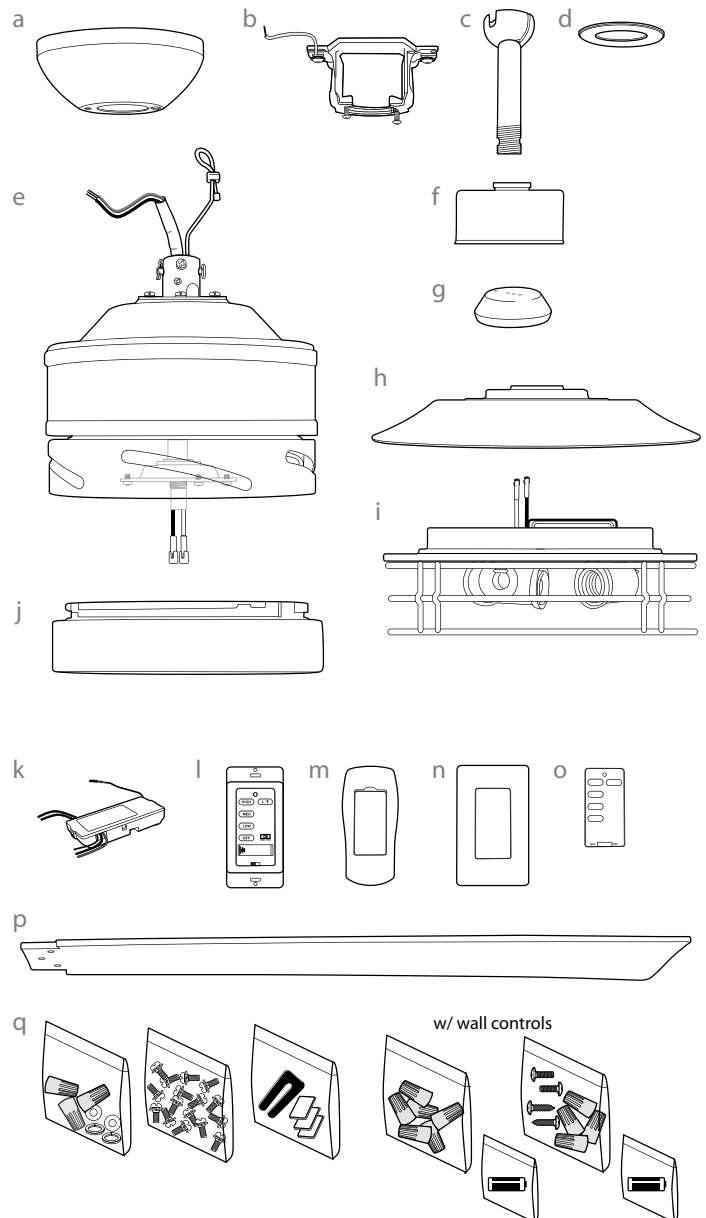
# 1. Unpacking Your Fan.

Carefully open the packaging. Remove items from Styrofoam inserts. Remove motor housing and place on carpet or Styrofoam to avoid damage to finish. Do not discard fan carton or Styrofoam inserts should this fan need to be returned for repairs. Check against parts inventory that all parts have been included.



## 2. Parts Inventory.

- a.** canopy. 1 piece
- b.** hanging bracket. 1 piece
- c.** downrod and hanging ball. 1 piece
- d.** canopy cover (in hardware pack). 1 piece
- e.** motor housing. 1 piece
- f.** yoke cover. 1 piece
- g.** weatherproof hanging ball cover. 1 piece
- h.** fitter plate. 1 piece
- i.** light kit. 1 piece
- j.** glass shade. 1 piece
- k.** remote control receiver. 1 piece
- l.** wall control. 2 pieces
- m.** remote control cover. 1 piece
- n.** plate. 1 piece
- o.** faceplate. 3 pieces
- p.** blade. 5 pieces
- q.** hardware packs



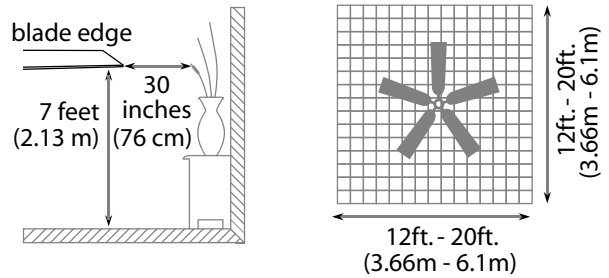
**! IMPORTANT REMINDER:** You must use the parts provided with this fan for proper installation and safety. **!**

**bulbs required:**  
3 x 6 watt max. medium base LED bulbs  
(included)



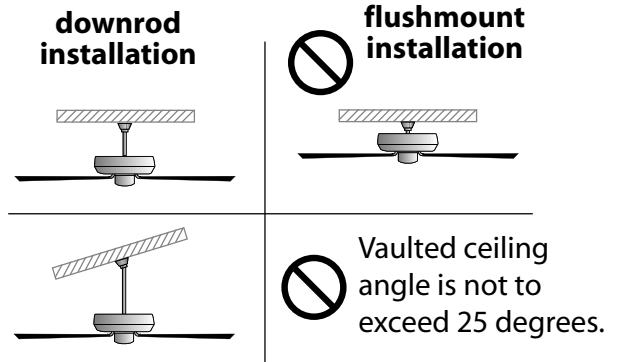
### 3. Installation Preparation.

To prevent personal injury and damage, ensure that the hanging location allows the blades a clearance of 7 feet (2.13m) from the floor and 30in. (76cm) from any wall or obstruction. This fan is suitable for room sizes up to 400 square feet (37.2 square meters).



This fan can be mounted with a **downrod** on a regular (no-slope) or vaulted ceiling. The hanging length can be extended by purchasing a longer downrod (0.5in./1.27cm diameter). Other installation, such as **flushmount**, is *not* available for this fan.

**Installation requires these tools:** Phillips screwdriver, flathead screwdriver, adjustable pliers or wrench, stepladder, wire cutters, and rated electrical tape.



### 4. Hanging Bracket Installation.

Turn off circuit breakers to current fixture from breaker panel and be sure operating light switch is turned to the OFF position.

**WARNING:** Failure to disconnect power supply prior to installation may result in serious injury.

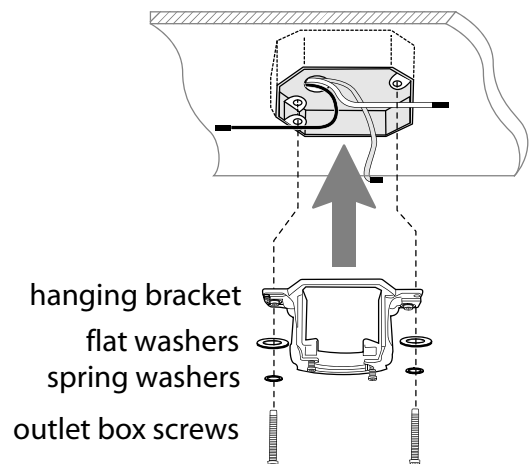
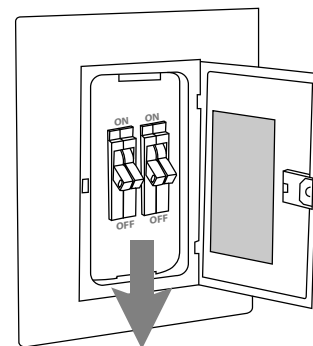
Remove existing fixture.

**WARNING:** When using an existing outlet box, be sure the outlet box is securely attached to the building structure and can support the full weight of the fan. Ensure outlet box is clearly marked "Suitable for Fan Support." If not, it must be replaced with an approved outlet box. Failure to do so can result in serious injury.

**CAUTION:** Be sure outlet box is properly grounded and that a ground wire (**GREEN** or bare) is present.

Install hanging bracket to outlet box using original screws, spring washers and flat washers provided with new or original outlet box.\* If installing on a vaulted ceiling, face opening of hanging bracket towards high point of ceiling. Arrange electrical wiring around the back of the hanging bracket and away from the bracket opening.

**\*Note:** It is very important that you use the proper hardware when installing the hanging bracket as this will support the fan.



## 5. Fan Assembly.

Remove hanging ball from downrod provided by loosening set screw on hanging ball. Lower hanging ball and remove stop pin and then slide hanging ball off of the downrod. [Refer to **diagram 1**.]

Loosen yoke set screws and nuts at top of motor housing. Remove pin and clip from motor housing yoke. [Refer to **diagram 2**.]

**Tip:** To prepare for threading electrical wires through downrod, apply a small piece of electrical tape to the ends of the electrical wires--this will keep the wires together when threading them through the downrod. [Refer to **diagram 2**.]

Determine the length of downrod you wish to use. Thread safety cable and electrical wires through threaded end of downrod and pull extra wire slack from the upper end of the downrod. [Refer to **diagram 2**.]

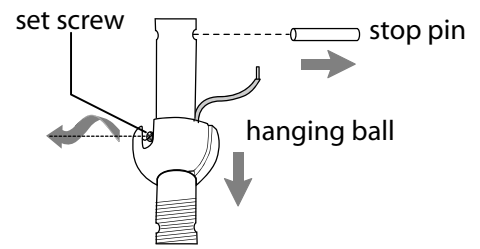
Thread downrod into the motor housing yoke until holes for pin and clip in downrod align with holes in yoke--*make sure wires do not get twisted*. Re-insert pin and clip that were previously removed. Tighten yoke set screws and nuts securely. [Refer to **diagram 2**.]

Locate canopy cover in hardware pack. Slide yoke cover, canopy cover and canopy over downrod. [Refer to **diagram 3**.] (**Note:** Canopy cover must be turned with shiny side *toward* the motor housing.)

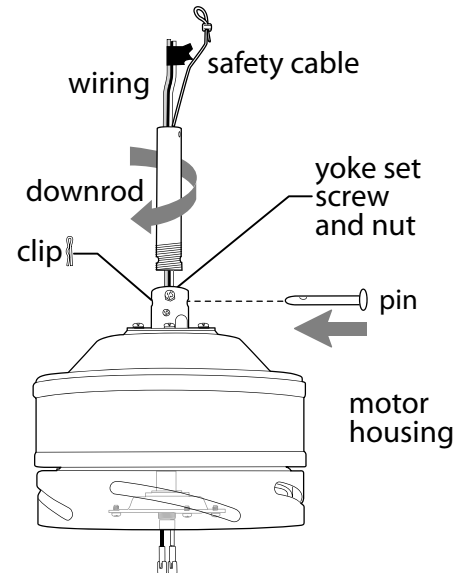
Thread safety cable and wires through hanging ball; then slide hanging ball over downrod--the top of the downrod should be noted as having a set screw hole; use this hole when setting the set screw. Insert stop pin into top of downrod and raise hanging ball. Be sure stop pin aligns with slots on the inside of the hanging ball. Tighten set screws securely. [Refer to **diagram 4**.]

**WARNING:** Failure to tighten set screws completely could result in the fan becoming loose and possibly falling.

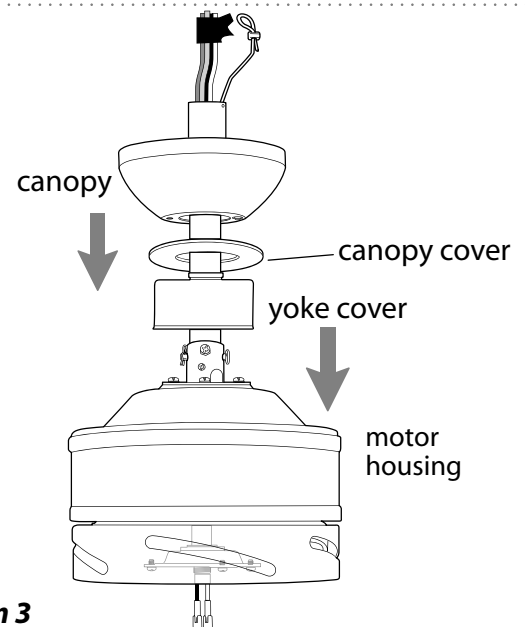
**["Fan Assembly" continued on next page.]**



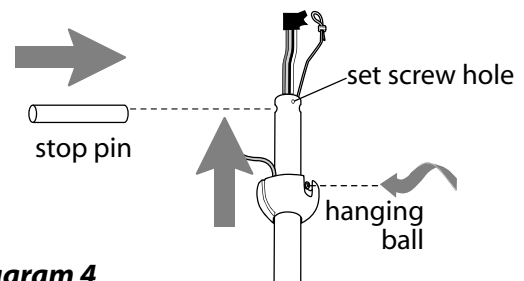
**diagram 1**



**diagram 2**



**diagram 3**

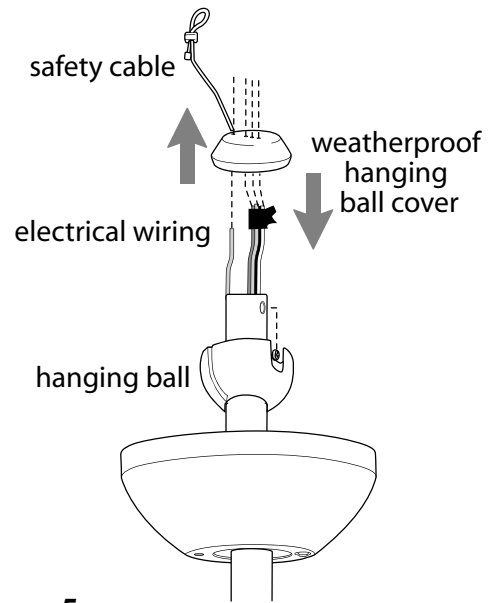


**diagram 4**

## 5. Fan Assembly. (cont.)

Remove electrical tape from electrical wiring and thread each of the wires through a different hole in the weatherproof hanging ball cover. Pull weatherproof hanging ball cover down securely over hanging ball (on downrod). [Refer to **diagram 5**.]

**NOTE:** The important safety precautions and instructions appearing in the manual are not meant to cover all possible conditions and situations that may occur. It must be understood that common sense and caution are necessary factors in the installation and operation of this fan.



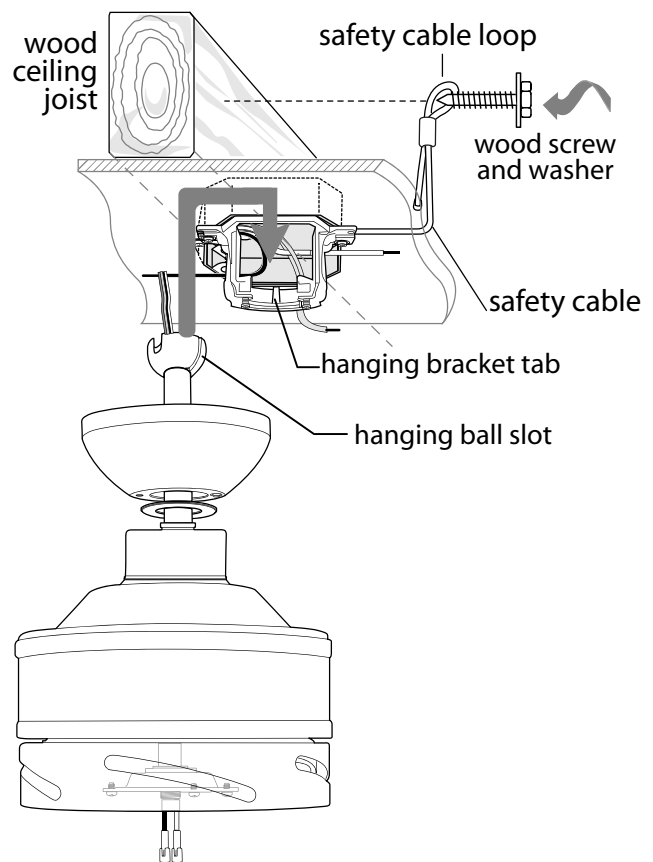
**diagram 5**

With the hanging bracket secured to the outlet box and able to support the fan, you are now ready to hang your fan. Grab the fan firmly with two hands. Slide downrod through opening in hanging bracket and let hanging ball rest on the hanging bracket. Turn the hanging ball slot until it lines up with the hanging bracket tab.

**WARNING:** Failure to align slot in hanging ball with tab in hanging bracket may result in serious injury or death.

**Tip:** Seek the help of another person to hold the stepladder in place and to lift the fan up to you once you are set on the ladder.

Find a secure attachment point (wood ceiling joist highly recommended) and secure safety cable. It will be necessary to use a heavy duty wood screw, washer and lock washer (not supplied) with the safety cable loop. If necessary, adjust the loop at the end of the safety cable. The loop at the end of the safety cable should just fit over the threads on the wood screw. *Test safety cable by pulling on loose end with pliers. If the safety cable slips, the loop must be adjusted tighter.* Extra cable slack can be left in ceiling area. [Refer to **diagram 6**.]



**diagram 6**

## 6. Wiring.

**WARNING:** Turn off circuit breakers to current fixture from breaker panel and be sure switch is turned to the OFF position.

**CAUTION:** Be sure outlet box is properly grounded and that a ground wire (**GREEN** or Bare) is present.

Make sure all electrical connections comply with Local Codes or Ordinances and the National Electrical Code. If you are unfamiliar with electrical wiring or if the house/building wires are different colors than those referred to in the diagram to the right, please use a qualified electrician.

**Note:** Excess lead wire length from the fan can be cut to the desired length and then stripped.

**WARNING:** If using this fan in a **WET** location, this fan must be connected to a supply circuit that is protected by a Ground Fault Circuit Interrupter (GFCI) to reduce the risk of personal injury, electrical shock or death.

When downrod is secured in place on the hanging bracket, **WIRE THE RECEIVER** with wire connectors provided as shown in diagram at right.

**Tip:** While you are wiring, keep in mind that wires must not obstruct receiver from sliding into hanging bracket.

\* Wrap each wire connector separately with electrical tape as an extra safety measure.

Gently insert receiver (flat side up) into hanging bracket and carefully push taped wire connectors into outlet box. Allow antenna from remote control receiver to hang outside of hanging bracket.

[**PLEASE NOTE:** Wall and/or handheld remote control must be used for fan to operate. If you do **not** wish to use the wall control, please proceed to Section 7, page 8 to continue with fan installation.]

**To install wall control**, remove existing wall switch. Wire one of the wall controls with wire connectors provided as shown in diagram at right.

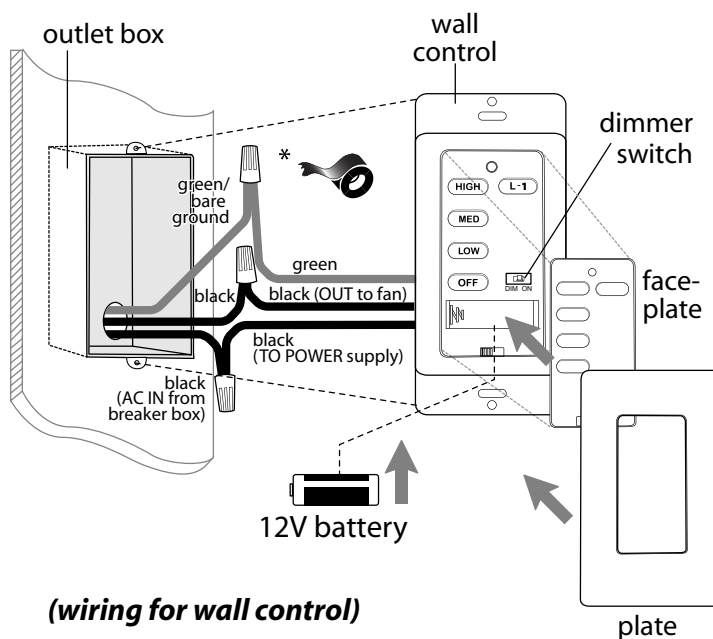
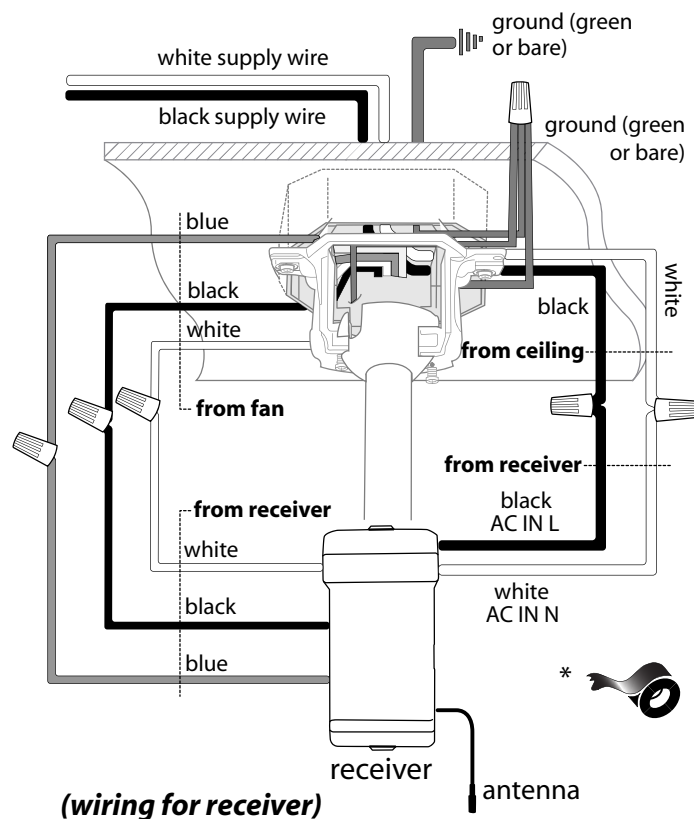
\*Wrap each wire connector separately with electrical tape as an extra safety measure. Gently push wires and taped wire connectors into outlet box.

Install one 12-volt battery (included) in wall control.

**IMPORTANT:** Wall control will not function unless battery is installed.

Since this fan comes with dimmable LED bulbs, the dimmer switch (labeled **DIM** and **ON**) has been pre-set to the "ON" position (**DIM**). If you do not wish to have dimming capability, please move the switch to the "OFF" position (**ON**).

Select a faceplate (almond or white) and press firmly onto front of wall control. Attach wall control to outlet box and secure with screws from original wall switch. Attach plate (included) to wall control using 2 screws provided with the wall control.

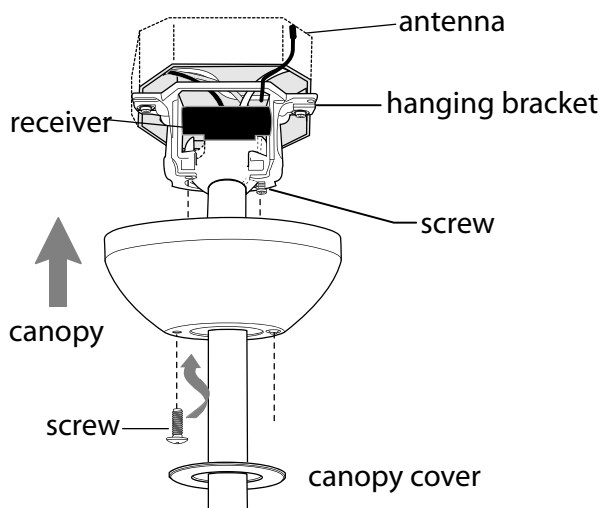


## 7. Canopy Assembly.

Locate 2 screws on underside of hanging bracket and remove screw closest to the open end of the hanging bracket. Partially loosen the other screw. Lift canopy to hanging bracket. Place rounded part of slotted hole in canopy over loosened screw in hanging bracket and push up. Twist canopy to lock. Re-insert screw that was removed and then tighten both screws securely.

Slide canopy cover up to canopy, aligning rounded part of slotted holes in canopy cover with screwheads in bottom of canopy. Turn canopy cover to the right (clockwise) until it stops.

\*Remember that antenna for remote control receiver must rest *outside* of hanging bracket.

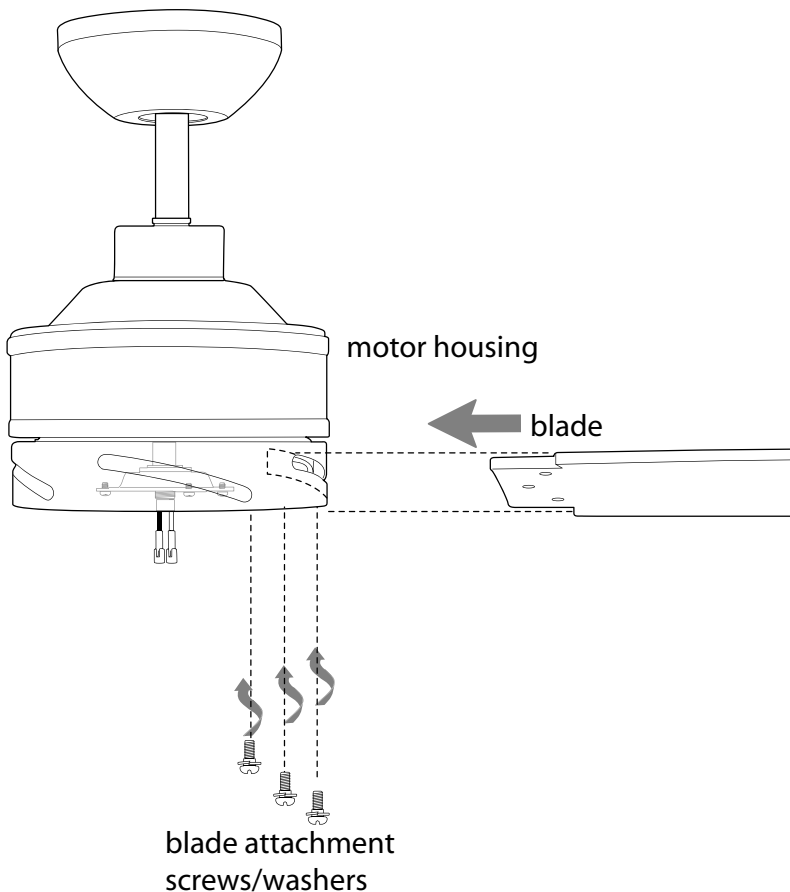


## 8. Blade Assembly.

**WARNING:** To reduce the risk of serious bodily injury, DO NOT use power tools to assemble the blades. If screws are overtightened, blades may crack and break.

Locate 15 blade attachment screw/washers in hardware pack. Slide blade through one of the narrow, rectangular openings on motor housing, aligning holes in blade with holes in blade arm (**located on the underside of the motor housing**)--refer to drawing at right. [Be sure to note label on blade indicating **THIS SIDE UP** and turn blade so that label faces up.] Insert 3 blade attachment screws/washers with fingers first and then tighten screws securely with a Phillips screwdriver. Repeat procedure for each remaining blade.

**Note:** Tighten blade attachment screws twice a year.





## 9. Light Kit Assembly.

Remove 1 screw from motor plate on underside of motor housing and partially loosen the other 2 screws.

Align slotted holes in fitter plate with loosened screws in motor plate, allowing molex connectors to come through center hole in fitter plate. Twist fitter plate to lock. Re-insert screw that was previously removed and securely tighten all 3 screws with a Phillips screwdriver. [Refer to **diagram 1**.]

Connect **WHITE** wire from motor housing to **WHITE** wire from the light kit and **BLUE** (or **BLACK**) wire from motor housing to **BLACK** wire from light kit. Make sure molex connections snap together completely.

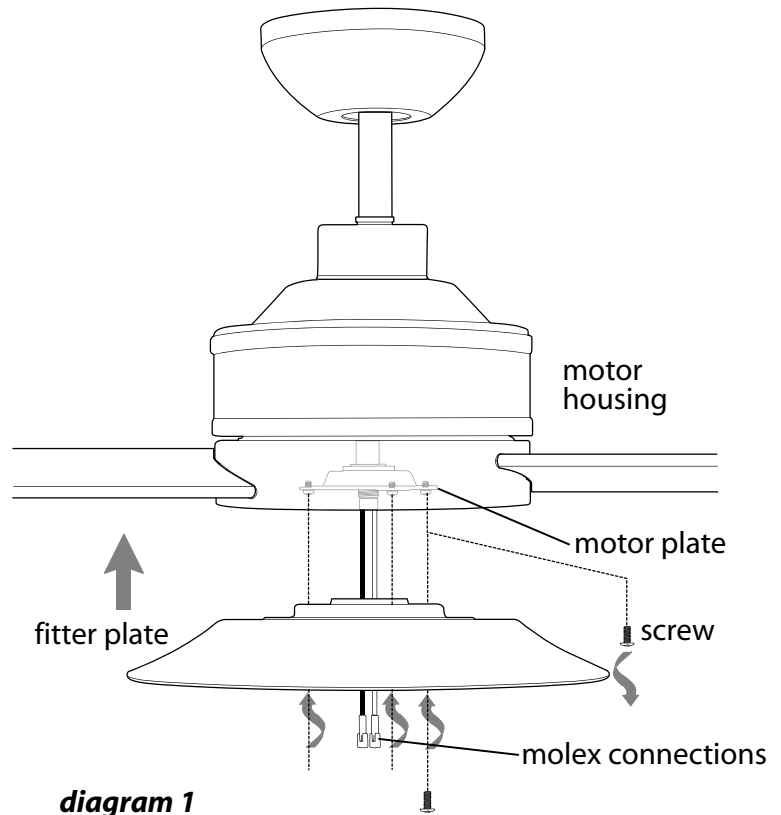
Remove screws from 3 posts located on underside of fitter plate. Carefully arrange wiring within the back of light kit. Align holes in light kit with posts in fitter plate. Re-insert screws previously removed and securely tighten all 3 screws with a Phillips screwdriver. [Refer to **diagram 2**.]

Install three 6 watt medium base LED bulbs (included).

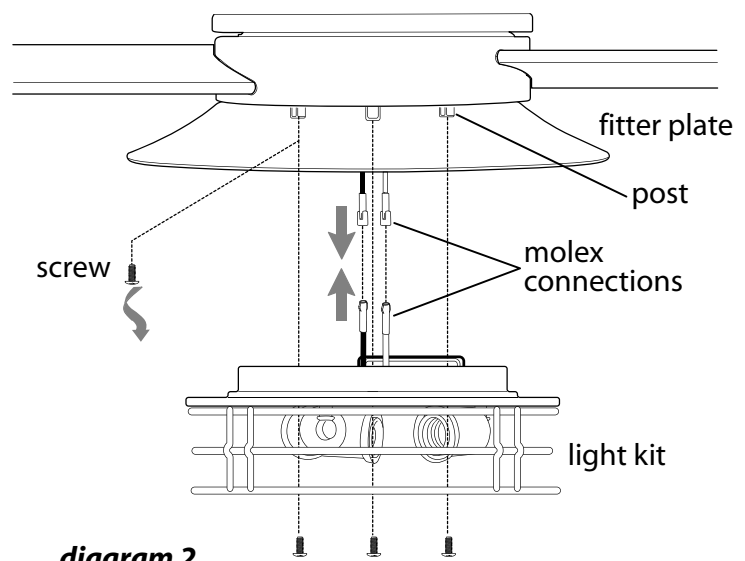
**IMPORTANT:** When replacing bulbs, allow bulbs and glass shade to cool down before touching.

Align grooves on glass shade with nodules on inside edge of light kit and push up gently on glass shade. Twist shade to the RIGHT (clockwise) until glass shade locks into place.

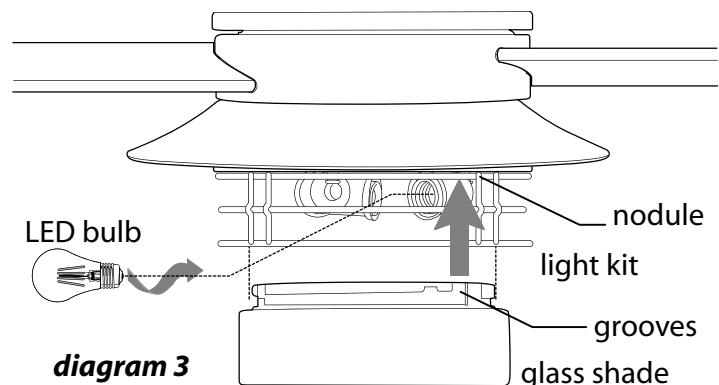
*Pull down VERY GENTLY on shade to make sure that shade is secure.* [Refer to **diagram 3**.]



**diagram 1**



**diagram 2**



**diagram 3**

# 10. Handheld Remote Control Assembly.

IN ORDER TO USE THE HANDHELD REMOTE CONTROL, CONTINUE WITH SECTION 10 for remote control assembly instructions. If you have already installed the wall control but do **not** wish to use the handheld remote control, proceed to Section 11.

Gently pull on remote control cover to separate top and bottom parts. [Refer to **diagram 1**.]

In order to use wall control as a handheld remote control, cut each wire on wall control (that was not previously used)--use wire cutters to cut off each wire as close to the wall control as possible. [Refer to **diagram 2**.]

Install one 12-volt battery (included) in wall control. [Refer to **diagram 2**.]

Since this fan comes with dimmable LED bulbs, the dimmer switch (labeled **DIM** and **ON**) has been pre-set to the "ON" position (**DIM**). If you do not wish to have dimming capability, move the switch to the "OFF" position (**ON**). [Refer to **diagram 2**.]

Attach **black faceplate** to front of wall control; press down firmly. [Refer to **diagram 3**.]

Align holes in wall control with posts located on *inside* of TOP part of remote control cover and press together firmly. Place wall control into BOTTOM part of remote control cover, aligning posts in top of remote control cover with post holes in the bottom. [Refer to **diagram 3**.]

(NOTE: Make sure to align narrower ends of remote control cover before closing.) Squeeze top and bottom of remote control cover together until you hear a click at each end, indicating that the remote control cover has closed completely.

**IMPORTANT:** Store the handheld remote control away from excess heat or humidity. To prevent damage to handheld remote control, remove the battery if remote control will not be used for long periods.

**CAUTION:** "DO NOT DISPOSE OF BATTERIES IN FIRE, BATTERIES MAY EXPLODE OR LEAK." - When disposing of household alkaline batteries, it is best to check with your local and state recycling or household hazardous waste coordinators concerning the specifics of the program in your area. You may also locate a recycling center by calling 1-800-8-BATTERY or 1-877-2-RECYCLE or visit [www.epa.gov/epawaste/index.htm](http://www.epa.gov/epawaste/index.htm) or [www.earth911.org](http://www.earth911.org) for more information.

**WARNING: Choking Hazard** - Small parts. Keep battery away from children.

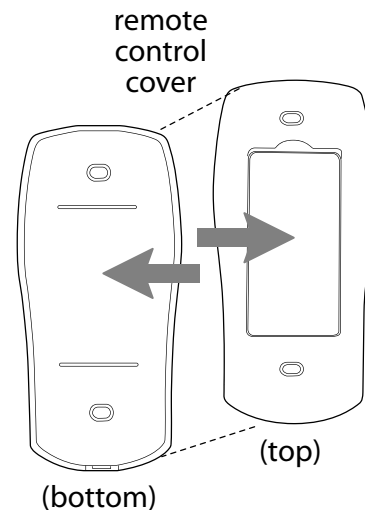


diagram 1

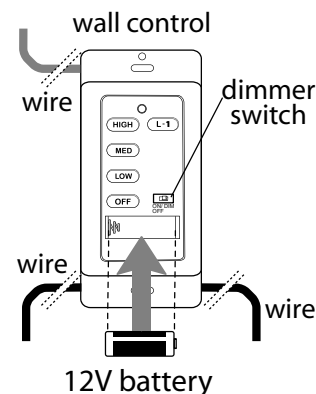


diagram 2

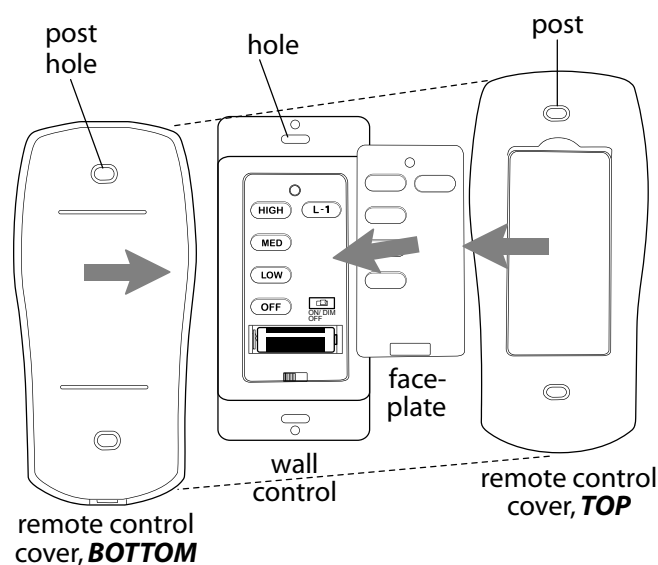


diagram 3

# 11. Automated Learning Process./Activating Code.

**CAUTION:** The wall and/or handheld remote control can be programmed to multiple receivers or fans. If this is not desired, turn wall switch off to any other programmable receiver or fan.

Restore electrical power and then, if using wall control, set slider switch on wall control to the ON position. Within 60 seconds of turning on the wall control, press and hold the **OFF** button on the wall control for 5 seconds or until light blinks twice.

**Turn power off again for at least 5 seconds** and then turn power back on. Within 60 seconds of restoring the power, press and hold the **OFF** button on the front of the handheld remote control for 5 seconds or until light blinks twice.

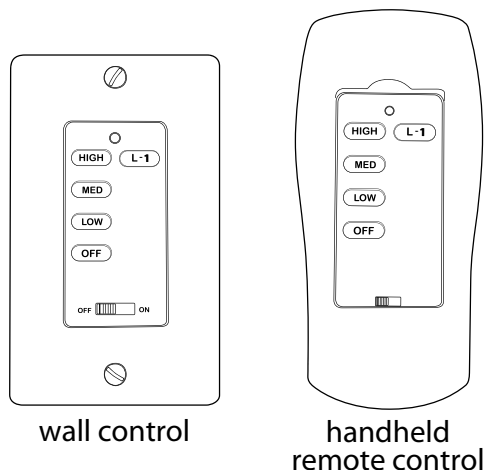
Test the fan functions to confirm learning process is complete -- See Section 13.

# 12. Remote Control Operation.

**ON/OFF** slider switch - turns wall control ON or OFF  
(ON/OFF slider switch not functional on handheld remote)

**HIGH** button - turns fan to HIGH speed  
**MED** button - turns fan to MEDIUM speed  
**LOW** button - turns fan to LOW speed  
**OFF** button - turns fan OFF

**L1** button - turns light kit ON/OFF when pressed once;  
 dims light kit when pressed and held down



# 13. Testing Your Fan.

It is recommended that you test fan before finalizing installation. Restore power from circuit box and light switch (if applicable). Test wall control (optional installation) by locating ON/OFF slider switch on wall control, then set to the ON position. Test light and dimmer function and then test fan speeds. Next, locate handheld remote control. Test the light ON/OFF function by pressing the L1 button; test the dimmer function by pressing the L1 button and holding it down for up to 5 seconds. Test fan speeds with the different fan speed buttons. If the wall and/or handheld remote control operates all of the functions of the fan, battery (batteries) has (have) been installed correctly. If the wall and/or handheld remote control do (does) not operate all of the fan/light functions, refer to "Troubleshooting" section to solve any issues before contacting Customer Service.

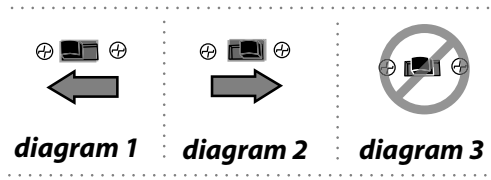
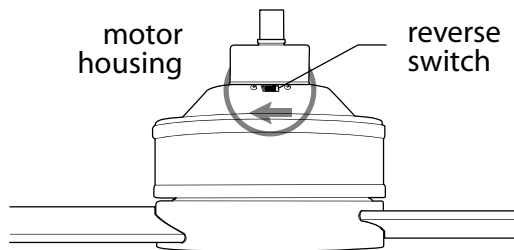
Turn fan completely off before moving the reverse switch (located on top of motor housing). Set reverse switch to recirculate air depending on the season:

- LEFT position in summer (**diagram 1**)
- RIGHT position in winter (**diagram 2**)

A ceiling fan will allow you to raise your thermostat setting in summer and lower your thermostat setting in winter without feeling a difference in your comfort.

**Important:** Reverse switch must be set either *completely LEFT* or *completely RIGHT* for fan to function. If the reverse switch is set in the *middle* position (**diagram 3**), fan will not operate.

**NOTE:** If the wall control/handheld remote control interferes with other appliances, **turn power off first** and then go back to the instructions in Section 11.



## Troubleshooting.

**WARNING:** Failure to disconnect power supply prior to troubleshooting any wiring issues may result in serious injury.

**Problem:** Fan fails to operate.

**Solutions:**

1. Check wall switch to fan/wall control.
2. Verify that reverse switch is set completely in either direction.
3. Check to be sure wall control (optional use) is wired properly.
4. Check to be sure fan is wired properly.
5. Verify that receiver is wired properly.
6. Learning process between fan, handheld remote control and, if applicable, wall control may not have been successful and code was not activated. Turn off power and repeat instructions in Section 11 (page 11).
7. Check that red light on handheld remote control turns on when a button is pressed indicating that the battery is good.

**Problem:** Light kit not lighting.

**Solutions:**

1. Check wall switch to fan/wall control.
2. Check that bulbs are installed correctly.
3. Check that wires in canopy are wired properly.
4. Verify that molex connections in light kit fitter are connected properly.
5. Learning process between fan, handheld remote control and, if applicable, wall control may not have been successful and code was not activated. Turn off power and repeat instructions in Section 11 (page 11).

**Problem:** Fan operates but light fails.

**Solutions:**

1. Check that bulbs are installed correctly.
2. Check that wires in canopy are wired properly.
3. Replace defective bulb with same type of bulb.
4. Verify that molex connections in light kit fitter are connected properly.

**Problem:** Fan and light fail to operate with wall control and/or handheld remote control.

**Solutions:**

1. Check battery power in handheld remote control.
2. Learning process between fan, handheld remote control and, if applicable, wall control may not have been successful and code was not activated. Turn off power and repeat instructions in Section 11 (page 11).
3. If using optional wall control, check that battery in wall control is still good.

**Problem:** Fan wobbles.

**Solutions:**

1. Use the balancing kit in one of the hardware packs. *If no blade balancing kit is provided, please call Customer Support, at 1-800-486-4892, to request one.*
2. Check to be sure set screw(s) on motor housing yoke is (are) tightened securely.
3. Check to be sure set screw on hanging ball is tightened securely.

## Warranty.

CRAFTMADE™ LIFETIME LIMITED WARRANTY:

CRAFTMADE warrants this fan to the original household purchaser for indoor use under the following provisions: 1-YEAR WARRANTY: CRAFTMADE will replace or repair any fan which has faulty performance due to a defect in material or workmanship. Contact Craftmade Customer Service at **1-800-486-4892** to arrange for return of fan. Return fan, shipping prepaid, to Craftmade. We will repair or ship you a replacement fan, and we will pay the return shipping cost.

5-YEAR WARRANTY: CRAFTMADE will repair or replace, at no charge to the original purchaser, any fan motor that fails to operate satisfactorily when failure results from normal use.

RETURN FAN MOTOR ONLY, shipping prepaid, to Craftmade Industries. We will repair or ship purchaser a replacement motor and Craftmade will pay the return shipping cost.

6-YEAR to LIFETIME LIMITED WARRANTY: CRAFTMADE will repair the fan, at no charge for labor only to the original purchaser, if the fan motor fails to operate satisfactorily when failure results from normal use. Parts used in the repair will be billed to the purchaser at prevailing prices at time of repair.

The purchaser shall be responsible for all costs incurred in the removal, reinstallation and shipping of the product for repairs.

This warranty does not apply when damage from mechanical, physical, electrical or water abuse results in causing the malfunction. Deterioration of finishes or other parts due to time or exposure to salt air is specifically exempted under this warranty.

Neither Craftmade nor the manufacturer will assume any liability resulting from improper installation or use of this product. In no case shall the company be liable for any consequential damages for breach of this, or any other warranty expressed or implied whatsoever. This limitation as to consequential damages shall not apply in states where prohibited.

## Parts Replacement.

For parts and information, please refer to "Parts Inventory" on page 3.

Craftmade Customer Support:

**1-800-486-4892**

[www.craftmade.com](http://www.craftmade.com)

# CRAFTMADE™

# CRAFTMADE™

LISEZ CES INSTRUCTIONS ET  
CONSERVEZ-LES POUR USAGE FUTUR



## Garrick

# Guide d'installation

Pour modèle:

## GAR56

### Table des Matières :

Conseils de sécurité. p. 2

Déballage de votre ventilateur. p. 3

Contenu de l'emballage. p. 3

Préparation de l'installation. p. 4

Installation du support de suspension. p. 4

Montage du ventilateur. p. 5 - 6

Câblage. p. 7

Montage de la garniture. p. 8

Fixation des pales. p. 8

Assemblage du kit d'éclairage. pg. 9

Montage du module de commande

à distance portatif. p. 10

Processus d'apprentissage automatisé.

/ Activer code. p. 11

Utilisation de la commande à distance

/ murale. p. 11

Comment tester votre ventilador. p.11

Dépannage. p. 12

Garantie. p. 12

Remplacement des pièces. p.12



E192641

APPROUVÉ POUR  
L'ENDROIT HUMIDE

pois net de ce ventilateur: 14,1 kg (31,09 lb)

IMPRIMÉ EN CHINE

# CONSEILS DE SÉCURITÉ.

**AVERTISSEMENT** : Afin de réduire le danger de choc électrique, coupez l'alimentation électrique du ventilateur au niveau du disjoncteur, de l'armoire ou du panneau électrique principal avant de commencer l'installation du ventilateur ou avant d'entreprendre des travaux de réparation ou avant d'installer des accessoires.

1. **LISEZ ATTENTIVEMENT TOUTES LES INSTRUCTIONS ET LES INFORMATIONS DE SÉCURITÉ AVANT D'INSTALLER VOTRE VENTILATEUR ET CONSERVEZ CES INSTRUCTIONS.**

**ATTENTION** : Pour éviter toute blessure corporelle, il peut s'avérer nécessaire de porter des gants lors de la manutention de pièces de ventilateur qui présentent des bords coupants.

- Assurez-vous que tous les branchements électriques sont conformes aux Codes et Ordonnances locales, au Code Électrique national, et à l'ANSI/NFPA 70-1999. Si vous n'êtes pas familier avec le câblage électrique ou si les câbles de la maison/édifice sont de couleurs différentes de celles auxquelles il est fait référence dans ces instructions, alors veuillez faire appel à un électricien qualifié.
- Assurez-vous que l'endroit que vous avez choisi pour votre ventilateur présente un espace suffisant pour permettre aux pales de tourner librement et une distance d'au moins 2,13 mètres (7 pieds) entre le sol et les extrémités des pales du ventilateur. Le ventilateur doit être monté de telle sorte qu'il y ait un espace d'au moins 76 centimètres (30 pouces) entre les extrémités des pales et les murs ou autres structures verticales.
- La boîte de sortie et la poutre de support du plafond doivent être solidement arrimés et capables de soutenir une charge d'au moins 16 kilogrammes (35 livres). La boîte de sortie doit être montée directement sur une structure porteuse du bâtiment. Veuillez à n'utiliser que des boîtes de sortie approuvées CUL (Canada) ou UL (USA) portant l'inscription « ADAPTÉ POUR SOUTENIR UN VENTILATEUR ».

**AVERTISSEMENT** : Afin de réduire le risque d'incendie, de choc électrique ou de blessure corporelle, montez sur une boîte de sortie portant la mention "Adapté pour soutenir un ventilateur de 15,9 kg (35 lb) ou moins ["Acceptable for Fan Support of 15.9 kg (35 lb) or less"]", et utilisez les vis de fixation fournies avec la boîte de sortie. La plupart des boîtes de sortie communément utilisées pour soutenir des luminaires ne sont pas adéquates pour soutenir un ventilateur et doivent éventuellement être remplacées. Consultez un électricien qualifié en cas de doute.

**AVERTISSEMENT** : Pour réduire les risques d'incendie, de choc électrique ou de blessures corporelles, les connecteurs de fils fournis avec ce ventilateur sont conçus pour n'accepter qu'un fil résidentiel de calibre 12 et deux fils en provenance du ventilateur. Si le fil résidentiel est d'un calibre supérieur à 12 ou s'il y a plus d'un fil résidentiel à connecter aux fils du ventilateur correspondants, consulter un électricien pour savoir quelle taille de connecteurs de fils utiliser.

- Les schémas électriques ne sont fournis que pour référence.
- Lorsque l'installation est terminée, vérifiez que toutes les connexions sont correctement et solidement effectuées.
- Après avoir effectué des branchements électriques, les fils ainsi raccordés doivent être tournés vers le haut et insérés dans la boîte des sorties avec précaution. Les fils doivent être séparés avec le fil de terre et le fil de raccordement à la terre de l'unité positionnés sur les côtés opposés de la boîte de sortie.

**AVERTISSEMENT** : Afin de réduire le danger de choc électrique ou d'incendie, ne pas utiliser ce ventilateur avec un variateur de vitesse à circuit intégré ou régler la vitesse à l'aide d'un interrupteur à variateur intégral. [Le fait d'utiliser un interrupteur à variateur intégral pour contrôler la vitesse du ventilateur occasionnera un vrombissement sourd en provenance du ventilateur.]

- Ne pas actionner le commutateur d'inversion avant que le ventilateur ne soit parvenu à un arrêt complet.
- Ne rien insérer entre les pales du ventilateur lorsqu'elles sont en mouvement.

**AVERTISSEMENT** : En vue de réduire le risque de blessures corporelles, évitez de plier les bras de pales pendant le montage ou après installation. Ne pas introduire d'objets dans la trajectoire des pales.

**AVERTISSEMENT** : Pour éviter toute blessure corporelle ou dommage au ventilateur et autres éléments, faites preuve de prudence lorsque vous travaillez autour du ventilateur ou lorsque vous le nettoyez.

- Ne pas utiliser d'eau ou de détergents pour nettoyer le ventilateur ou les pales de ventilateur. Un chiffon sec ou légèrement humide se prête bien à la plupart des tâches de nettoyage.

**AVERTISSEMENT** : Afin de réduire le risque de blessures personnelles, **n'utiliser** que les pièces livrées avec ce ventilateur. **L'utilisation de toutes pièces AUTRES que celles fournies avec ce ventilateur annulera la garantie.**

**AVERTISSEMENT** : Ce ventilateur DOIT être installé à l'aide du câble de sécurité fourni avec le ventilateur. Ne pas utiliser le câble de sécurité fourni peut entraîner des blessures corporelles graves, des dommages au ventilateur ou d'autres dommages matériels.

**REMARQUE** : Les précautions de sécurité et les instructions importantes figurant dans le manuel ne sauraient prévoir toutes les conditions et situations possibles. Il est entendu que le bon sens et la prudence sont des facteurs dont il y a lieu de faire preuve et qu'il y a lieu d'observer pour l'installation et l'utilisation de ce ventilateur.

**REMARQUE** : Cet appareil a été testé et déclaré conforme aux limites imposées aux appareils numériques de classe B, conformément à l'alinéa 15 du règlement de la FCC. Ces limites sont destinées à assurer une protection raisonnable contre les interférences nuisibles dans un environnement résidentiel. Cet appareil génère, utilise et peut émettre de l'énergie radiofréquence et, s'il n'est pas installé et utilisé conformément aux instructions, risque de provoquer des interférences nuisibles aux communications radio. Cependant, tout risque d'interférence ne peut être totalement exclu. S'il constate des interférences lors de la réception d'émissions de radio ou de télévision (il suffit, pour le vérifier, d'allumer et d'éteindre successivement l'appareil), l'utilisateur devra prendre les mesures nécessaires pour les éliminer. À cette fin, il devra :

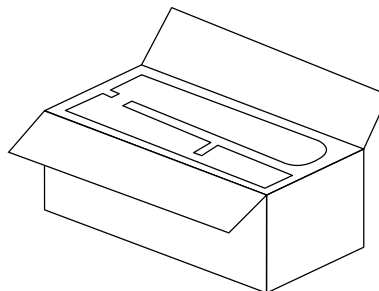
- \* réorienter ou déplacer l'antenne réceptrice;
- \* accroître la distance entre l'appareil et le récepteur;
- \* brancher l'appareil sur une prise de courant appartenant à un autre circuit que celui du récepteur.

Consultez le détaillant ou un technicien en radio ou en télévision expérimenté pour obtenir de l'aide.

# 1. Déballage de votre ventilateur.

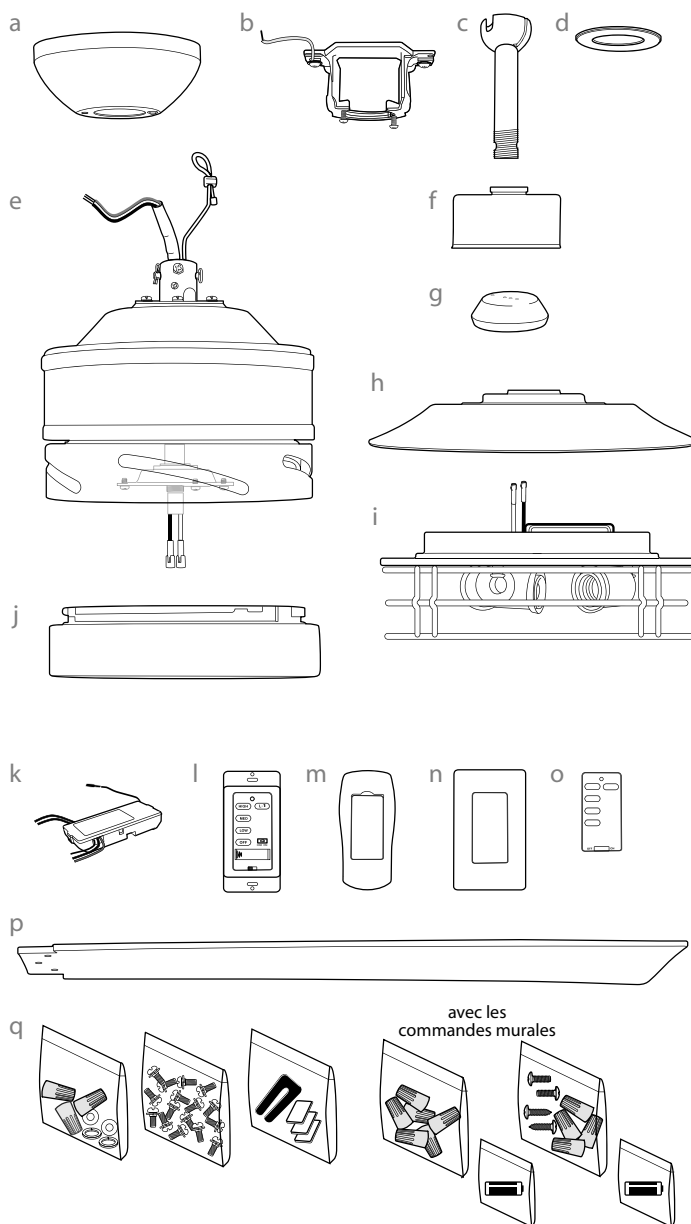
Ouvrir l'emballage avec précaution. Retirer toutes les pièces des inserts en polystyrène. Retirer le boîtier de moteur et le placer sur une pièce de tapis ou de polystyrène afin de ne pas endommager la finition. Ne pas jeter le carton ou les pièces de polystyrène pour le cas où le ventilateur devrait être renvoyé pour réparation.

Vérifier à l'aide de la liste des pièces pour vous assurer que toutes les pièces sont bien présentes.



## 2. Inventaire des pièces.

- a.** garniture. 1 pièce
- b.** support de suspension. 1 pièce
- c.** tige de suspension et rotule de suspension. 1 pièce
- d.** couvercle de la garniture (dans le paquet de quincaillerie). 1 pièce
- e.** boîtier de moteur. 1 pièce
- f.** couvercle d'étrier. 1 pièce
- g.** couvre rotule de suspension anti-intempéries. 1 pièce
- h.** plaque de boîtier du commutateur. 1 pièce
- i.** kit d'éclairage. 1 pièce
- j.** abat-jour en verre. 1 pièce
- k.** récepteur de commande à distance. 1 pièce
- l.** commande murale. 2 pièces
- m.** couvercle de la commande à distance. 1 pièce
- n.** plaque. 1 pièce
- o.** plaque décorative. 3 pièces
- p.** pale. 5 pièces
- q.** paquets de quincaillerie



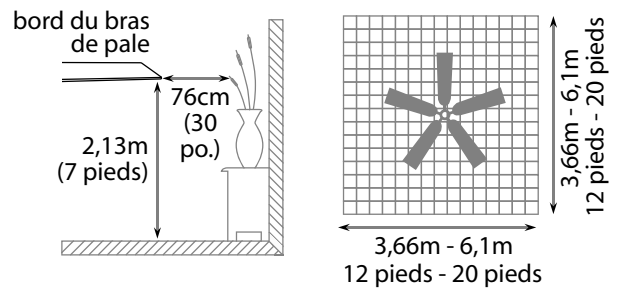
**⚠ RAPPEL IMPORTANT :** Vous devez utiliser les pièces fournies avec le ventilateur pour assurer une installation correcte et la sécurité. **⚠**

**ampoules requises :**  
3 x 6 W max. ampoules à DEL à culot standard  
(incluses)



### 3. Préparation de l'installation.

Pour éviter toute blessure corporelle et tous dommages ou dégâts, assurez-vous que l'emplacement où le ventilateur sera suspendu permettra un dégagement de 2,13m (7 pieds) entre les pales et le sol et de 76cm (30 po.) entre les pales et un mur ou un obstacle quelconque. Le ventilateur se prête à des pièces d'une surface pouvant aller jusqu'à 37,2 mètres carrés (400 pieds carrés).

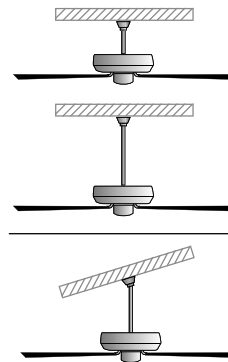


Ce ventilateur peut être suspendu à l'aide d'une tige de suspension d'un plafond voûté normal (d'aucun pente). Il est possible d'acheter une tige de suspension plus longue (diamètre de 1,27 cm / 0,5 po.) pour rallonger la distance par rapport au plafond. D'autres types d'installation, comme l'installation **au niveau du plafond**, ne sont pas disponibles pour ce ventilateur.

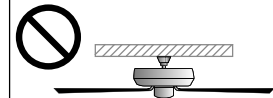
#### Les outils suivants seront nécessaires pour l'installation :

Tournevis cruciforme, tournevis plat, pince multiprise ou clé à molette, une échelle ou marchepied, une pince coupante, du ruban isolant homologué.

#### installation avec tige



#### installation au niveau du plafond



L'angle de la voûte du plafond ne doit pas dépasser 25 degrés.

### 4. Installation du support de suspension.

Coupez l'alimentation électrique du luminaire ou appareil en place au niveau des coupe-circuits du panneau électrique et assurez-vous que l'interrupteur qui en contrôle le fonctionnement est bien en position ARRÊT.

**AVERTISSEMENT :** Le fait de ne pas débrancher l'alimentation électrique avant l'installation peut causer des blessures graves.

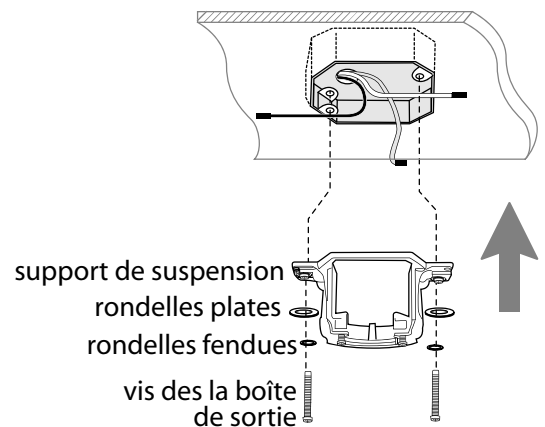
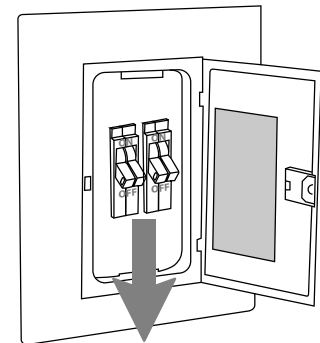
Déposez l'appareil existant.

**AVERTISSEMENT :** Dans le cas de l'utilisation d'une boîte de sortie existante, veillez à s'assurer que la boîte de sortie est solidement fixée à la structure de la construction et qu'elle peut supporter la totalité du poids du ventilateur. Vérifiez que la mention "Adapté pour soutenir un ventilateur" ("FOR FAN SUPPORT") soit clairement indiquée sur la boîte de sortie. Si tel n'est pas le cas, elle doit être remplacée par une boîte de sortie approuvée. Tout défaut à cette règle peut résulter en des blessures graves.

**ATTENTION :** Assurez-vous que la boîte de sortie est correctement reliée à la terre et qu'il existe bien un fil de terre (vert ou dénudé).

Fixez le support de suspension sur la boîte de sortie à l'aide des vis, rondelles fendues et rondelles plates originales fournies avec une nouvelle boîte de sortie ou la boîte de sortie originale.\* En cas d'installation dans un endroit avec un plafond voûté, il y a lieu de veiller à toujours diriger l'ouverture du support de suspension vers le point haut du plafond. Disposez le câblage derrière le support de suspension de telle sorte qu'il soit à l'écart de l'ouverture du support.

**\*Remarque :** Il est très important d'utiliser les pièces de montage prévues à cet effet lorsque vous installez le support de suspension du fait que celles-ci seront appelées à supporter la charge du ventilateur.





## 5. Montage du ventilateur.

Retirez la rotule de suspension de la tige de suspension fournie en desserrant la vis de fixation située sur la rotule de suspension. Glissez la rotule de suspension vers le bas et retirez la goupille d'arrêt puis retirez la rotule de suspension de la tige de suspension. [Voir **Schéma 2.**]

Desserrez les vis de fixation et l'écrou de l'étrier situés sur la partie supérieure du carter moteur. Retirez l'ensemble goupille clavette de l'étrier du carter moteur. [Voir **Schéma 3.**]

**Conseil :** En préparation du passage des câbles électriques par l'intérieur de la tige de suspension, enroulez l'extrémité des fils électriques avec un petit bout d'isolant électrique - cela permettra de rassembler les fils pour le passage dans la tige de suspension. [Voir **Schéma 3.**]

Déterminez la longueur de tige de suspension que vous souhaitez utiliser. Passez le câble de sécurité et les fils électriques dans l'extrémité fileté de la tige de suspension et tirez l'excédent de fil par l'extrémité supérieure de la tige de suspension. [Voir **Schéma 3.**]

Glissez la tige de suspension dans l'étrier du carter moteur jusqu'à ce que les trous pratiqués dans la tige de suspension réservés pour la clavette et la goupille soient alignés sur les trous de l'étrier -- veillez à ce que les fils ne soient pas torsadés. Réinsérez la goupille et le clip précédemment retirés. Serrez les vis de fixation et les écrous de l'étrier fermement. [Voir **Schéma 3.**]

Trouvez le couvercle de la garniture dans le paquet de quincaillerie. Glissez le couvre étrier, le couvercle de la garniture et la garniture par dessus la tige de suspension. [Voir **Schéma 4.**] (**Remarque :** Le côté brillant du couvercle de la garniture doit être tourné vers le carter moteur.)

Passez le câble de sécurité et les fils par l'ouverture de la rotule de suspension puis glissez la rotule de suspension dans la tige de suspension -- il est à noter que l'extrémité supérieure de la tige de suspension est celle qui est pourvue du trou destiné à recevoir la vis de fixation ; introduisez la vis de fixation dans ce trou. Insérez la goupille d'arrêt dans l'extrémité supérieure de la tige de suspension et glissez la rotule de suspension vers le haut. Assurez-vous que la goupille d'arrêt soit alignée avec les fentes situées sur l'intérieur de la rotule de suspension. Serrez fermement la vis de fixation. [Voir **Schéma 5.**]

**AVERTISSEMENT :** Le défaut de serrer correctement la vis de fixation (située sur la rotule de suspension) peut entraîner la désolidarisation, voire la chute du ventilateur.

**["Groupe ventilateur" suite à la page suivante.]**

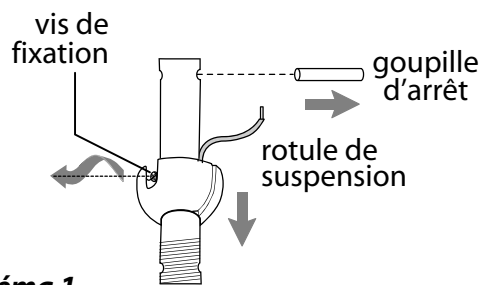


schéma 1

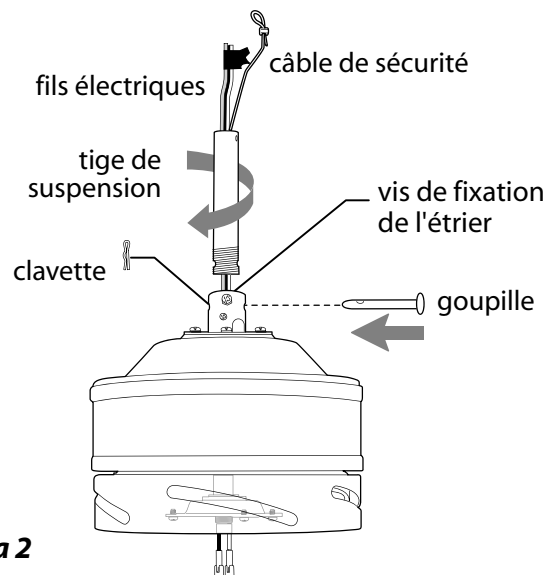


schéma 2

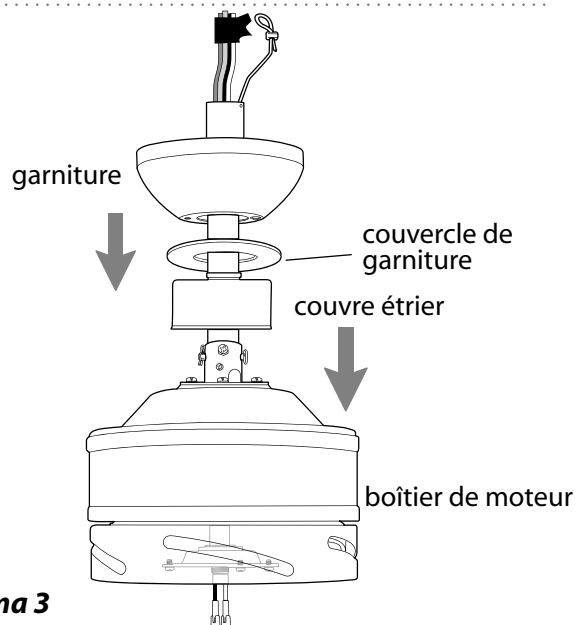


schéma 3

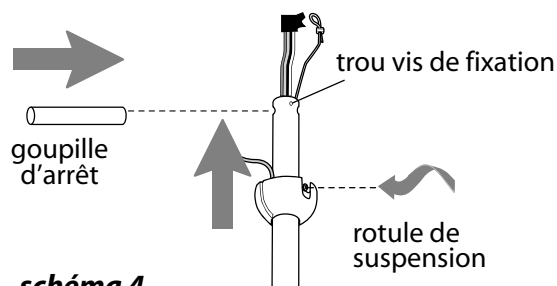


schéma 4

## 5. Montage du ventilateur. (cont.)

Retirez le ruban isolant des fils électriques et faites passer chacun des fils par une ouverture différente du couvercle anti-intempéries de la rotule de suspension. Rabaissez avec précaution le couvercle anti-intempéries de la rotule de suspension sur ladite rotule de suspension (sur la tige de suspension). [Voir schéma 5.]

**REMARQUE :** Les précautions de sécurité et les instructions importantes figurant dans le manuel ne sauraient prévoir toutes les conditions et situations possibles. Il est entendu que le bon sens et la prudence sont de rigueur et indispensables pour l'installation et l'utilisation de ce ventilateur.

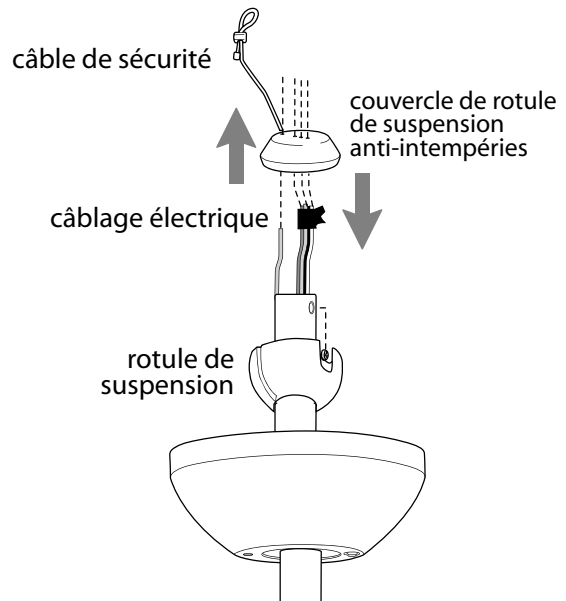


schéma 5

Une fois le support de suspension solidement fixé sur la boîte de sortie et prêt à maintenir le ventilateur, vous pouvez suspendre votre ventilateur. Saisissez le ventilateur fermement avec deux mains. Glissez la tige de suspension par l'ouverture du support de suspension et laissez la rotule de suspension venir se loger sur le support de suspension. Tournez la fente dans la rotule de suspension jusqu'à ce qu'elle soit alignée avec l'ergot se trouvant dans le support de suspension.

**AVERTISSEMENT :** Le fait de ne pas aligner la fente de la rotule de suspension avec l'ergot du support de suspension peut causer des blessures graves, voire mortelles.

**Conseil :** Demandez l'assistance d'une autre personne pour tenir le marchepied et pour vous aider à lever le ventilateur une fois que vous vous trouvez sur l'échelle.

Trouvez un point d'attache solide (une solive de plafond en bois est hautement recommandée) et fixez le câble de sécurité. Il sera nécessaire d'utiliser une vis à bois de gros gabarit, une rondelle et une rondelle autobloquante (non fournies) pour la boucle du câble de sécurité. Si nécessaire, réglez la boucle située à l'extrémité du câble de sécurité. La boucle située à l'extrémité du câble de sécurité doit tout juste affleurer les filets de la vis à bois. Testez le câble de sécurité en tirant sur l'extrémité flottante à l'aide d'une pince. Si le câble de sécurité glisse, la boucle doit être resserrée. Le mou du câble inutilisé peut être laissé en zone plafond. [Voir schéma 6.]

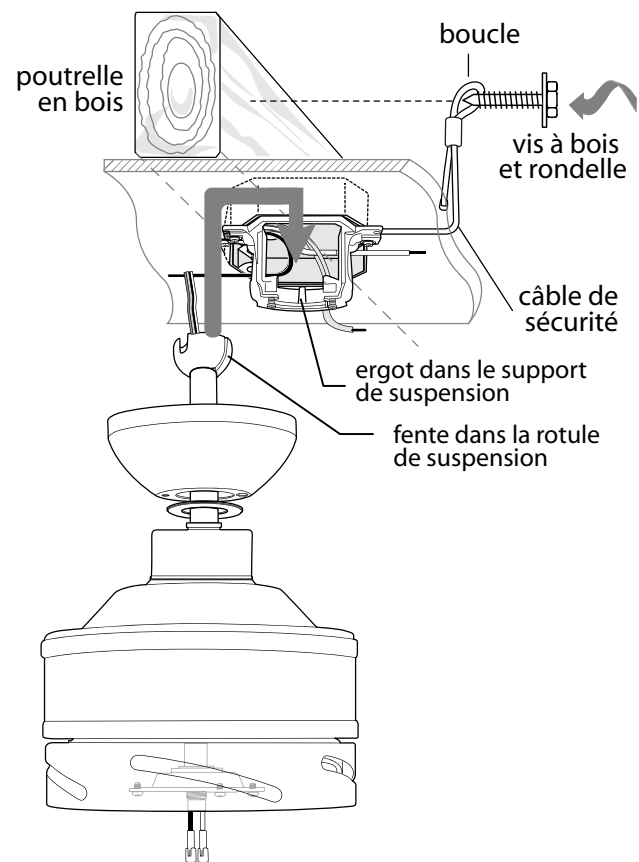


schéma 6

## 6. Câblage.

**AVERTISSEMENT :** Coupez l'alimentation électrique du luminaire ou appareil en place au niveau des coupe-circuits du panneau électrique et assurez-vous que l'interrupteur est bien en position OFF (ARRÊT).

**ATTENTION :** Assurez-vous que la boîte de sortie est correctement reliée à la terre et qu'il existe bien un fil de terre (**VERT** ou Dénudé).

Assurez-vous que tous les branchements électriques sont conformes aux Codes et Ordonnances locales, et au Code Électrique national. Si vous n'êtes pas familier avec le câblage électrique ou si les câbles de la maison/bâtiment sont de couleurs différentes de celles auxquelles il est fait référence dans le schéma de droite, alors veuillez faire appel à un électricien qualifié.

**Remarque :** Les fils d'alimentation trop longs peuvent être coupés à la longueur souhaitée puis dénudés.

**AVERTISSEMENT :** Si vous utilisez ce ventilateur en milieu HUMIDE, il doit être raccordé à une alimentation équipée d'un disjoncteur-détecteur de fuites à la terre (DDFT) afin de réduire le danger de blessures corporelles, d'électrocution ou de mort.

La tige de suspension une fois solidement montée sur le support de suspension, branchez le RÉCEPTEUR à l'aide des connecteurs de fils fournis comme illustré sur le schéma à droite.

Conseil : Lors du câblage, veillez à procéder de telle sorte que les fils n'obstruent pas l'insertion du récepteur dans le support de suspension.

\* Par mesure de sécurité complémentaire, enveloppez chaque connecteur de fils séparément de ruban isolant.

Insérez le récepteur avec précaution (côté plat vers le haut) dans le support de suspension et repliez soigneusement les fils enveloppés de ruban isolant dans la boîte de sortie. Laissez l'antenne du récepteur de la commande à distance dépasser du support de suspension

**[VEUILLEZ NOTER :** La commande murale et/ou le module de télécommande sont nécessaires pour faire fonctionner le ventilateur. Si vous ne souhaitez pas utiliser la commande murale, veuillez passer à la Section 7 pour continuer l'installation du ventilateur.]

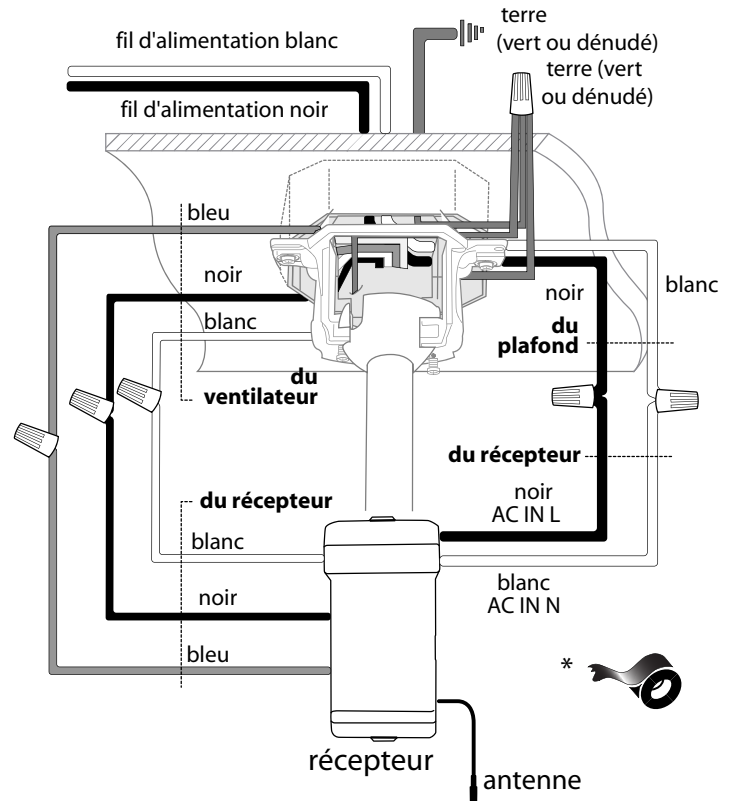
Pour installer la commande murale, déposez l'interrupteur mural existant. Câblez une des commandes murales à l'aide des connecteurs fournis comme indiqué dans l'illustration sur la droite.

\*Par mesure de sécurité complémentaire, enveloppez chaque connecteur de fils séparément de ruban isolant. Insérer avec précaution les fils et les connecteurs de fils avec le ruban isolant dans la boîte de sortie.

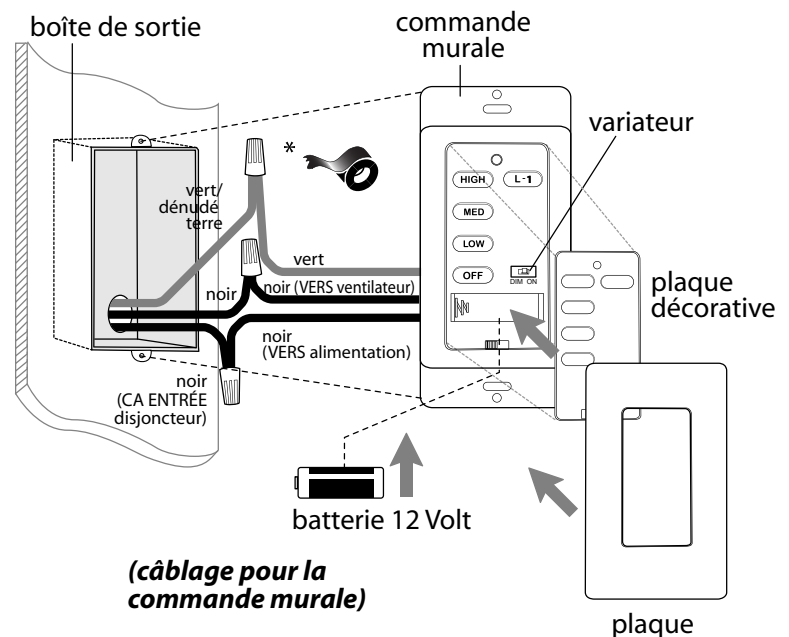
Installer une batterie 12 Volt (incluse) dans la commande murale. **IMPORTANT :** La commande murale ne fonctionnera pas si la batterie n'est pas installée.

Comme le ventilateur est livré avec des ampoules à DEL à lumière variable, la commande du gradateur (marquée DIM et ON) a été pré-réglée sur la position "ON" (Marche) (DIM). Si vous préférez ne pas activer la fonction variateur, veuillez amener la commande du gradateur en position "OFF" (Arrêt) (ON).

Choisissez une plaque décorative (couleur amande ou blanc) et montez celle-ci en la pressant fermement sur la face avant de la commande murale. Remontez la commande murale sur la boîte de sortie et fixez à l'aide des vis de l'interrupteur initial. Fixez la plaque décorative (incluse) sur la commande murale à l'aide des 2 vis fournies avec la commande murale.



(câblage pour le récepteur)



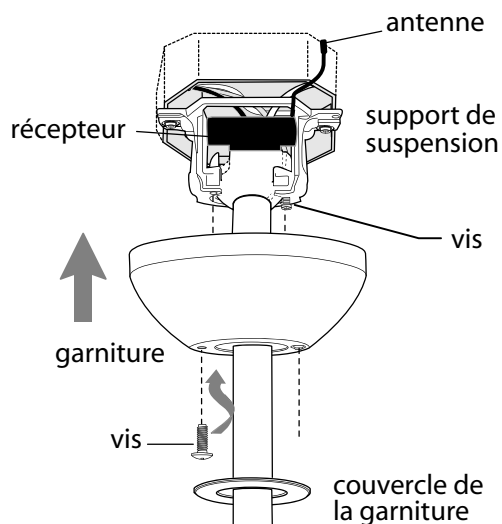
(câblage pour la commande murale)

## 7. Montage de la garniture.

Repérez 2 vis de montage sur la face inférieure du support de suspension et déposez la vis la plus proche de l'extrémité ouverte du support de suspension. Desserrez partiellement l'autre vis. Levez la garniture pour l'amener jusqu'au support de suspension. Glissez la partie arrondie de la fente dans la garniture par-dessus la vis desserrée située dans le support de suspension et poussez vers le haut.

Tournez la garniture pour verrouiller. Réinsérez la vis qui a été retirée, puis serrez fermement les deux vis. Glissez le couvercle de la garniture vers le haut jusqu'à la garniture, en veillant à aligner la partie arrondie des fentes du couvercle de la garniture sur les têtes de vis situées dans la partie inférieure de la garniture. Tournez le couvercle de la garniture vers la droite (sens horaire) jusqu'en butée.

\* Rappelez-vous, l'antenne du récepteur de la télécommande doit être laissée hors du support de suspension.

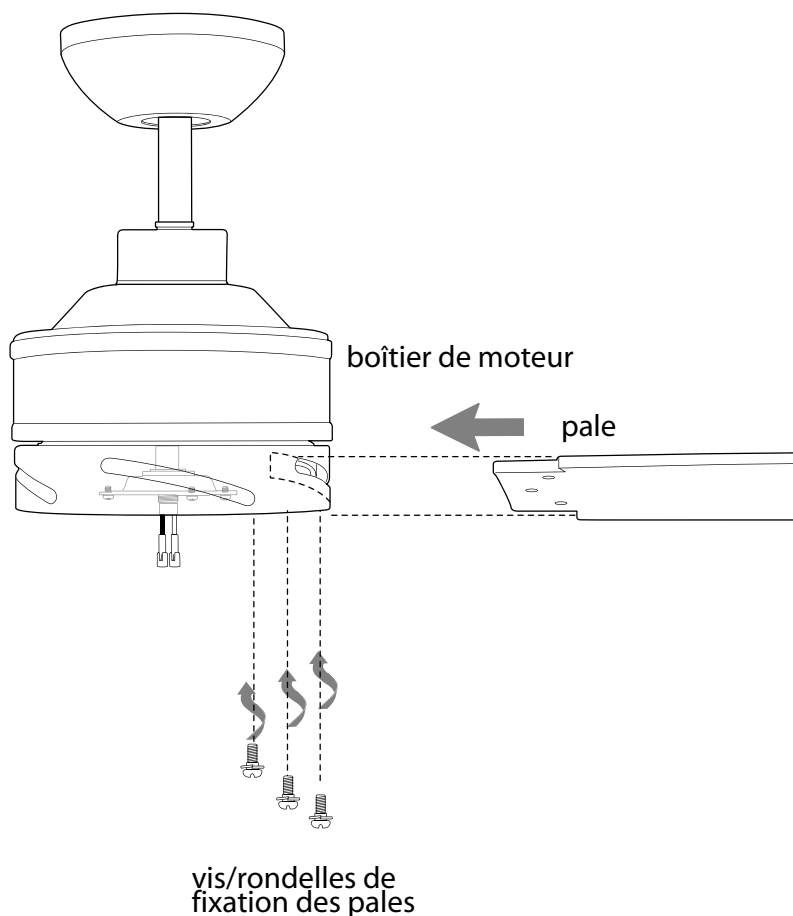


## 8. Fixation des pales.

**AVERTISSEMENT** : Afin de réduire le risque de blessures corporelles graves, NE PAS utiliser d'outils électriques pour assembler les pales. Si les vis sont trop serrées, les pales peuvent se fissurer et casser.

Trouvez 15 vis/rondelles de fixation de pales dans le paquet de quincaillerie. Glissez une pale à travers l'une des ouvertures étroites de forme rectangulaire du boîtier de moteur, en veillant à aligner les trous de la pale avec les trous situés dans le bras de pale (**situés sur le dessous du boîtier de moteur**) -- voir schéma ci-contre. [Veillez à noter l'étiquette sur la pale indiquant "THIS SIDE UP" (vers le plafond) et tournez la pale de sorte que l'étiquette soit tournée vers le haut.] Insérez 3 vis/rondelles de fixation de pales d'abord avec les doigts puis serrez les vis fermement à l'aide d'un tournevis cruciforme. Reprenez la procédure pour chacune des pales restantes.

**Remarque** : Resserrez les vis de bras de pales deux fois par an.



## 9. Assemblage du kit d'éclairage.

Retirez 1 vis de la plaque du moteur située sur la face inférieure du boîtier de moteur et desserrez partiellement les 2 autres vis.

Alignez les trous oblongs de la plaque de boîtier du commutateur sur les vis desserrées de la plaque du moteur, de façon à ce que les connecteurs molex passent par le trou central de la plaque de boîtier du commutateur. Tournez la plaque de l'adaptateur pour verrouiller l'ensemble. Réinsérez la vis qui a été précédemment déposée et serrez fermement les 3 vis avec un tournevis cruciforme. [Voir **schéma 1**.]

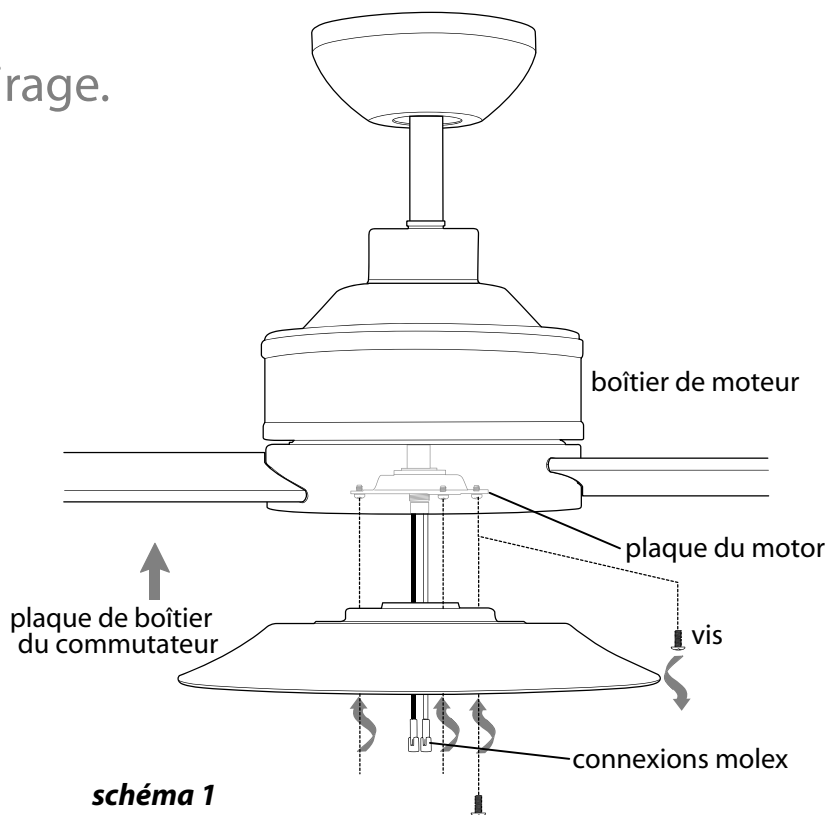
Raccordez le fil **BLANC** du carter moteur au fil **BLANC** du kit d'éclairage et le fil **BLEU** (ou **NOIR**) du carter moteur au fil **NOIR** du kit d'éclairage. Assurez-vous que les connexions molex s'emboîtent complètement.

Retirez les vis des 3 montants situés sur la face inférieure de la plaque de l'adaptateur. Disposez soigneusement le câblage dans le boîtier arrière du kit d'éclairage. Aligner les trous du kit d'éclairage avec les montants de la plaque de l'adaptateur. Réinsérez les vis précédemment retirées et serrez fermement les 3 vis avec un tournevis cruciforme. [Voir **schéma 2**.]

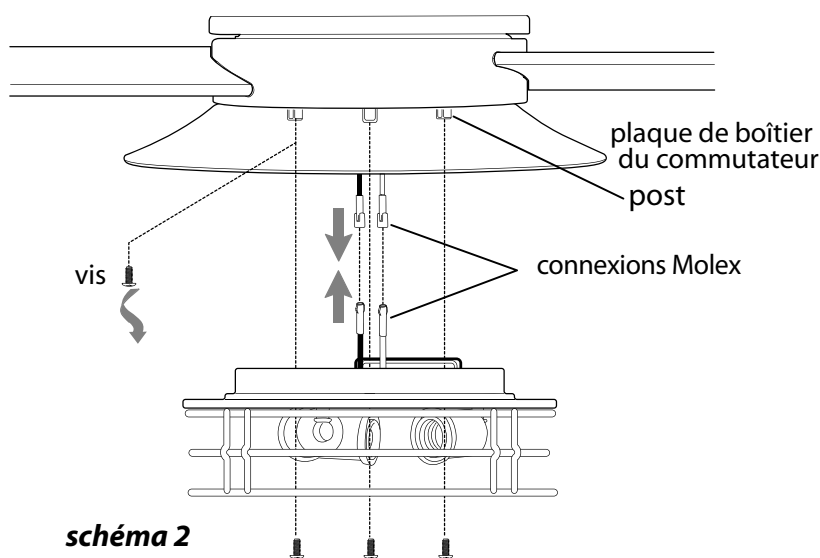
Installez trois ampoules à DEL de 6 watts à embase moyenne (incluses).

**IMPORTANT :** Attendez que les ampoules et l'abat-jour en verre aient le temps de refroidir avant tout changement d'ampoule.

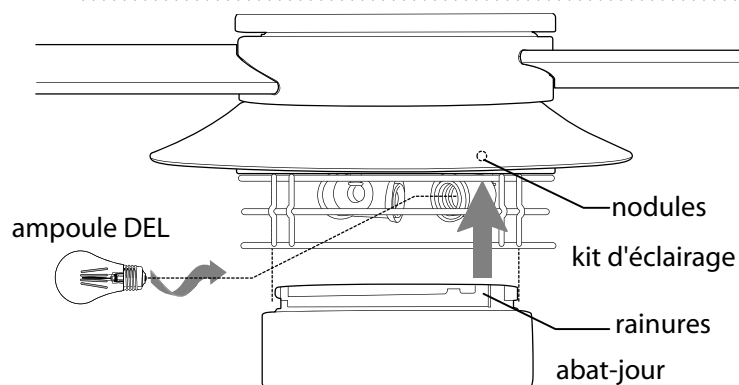
Alignez les rainures de l'abat-jour avec les nodules sur le bord intérieur du kit d'éclairage et poussez l'abat-jour vers le haut avec précaution. Tournez l'abat-jour vers la DROITE (sens horaire) pour le verrouiller. Tirez l'abat-jour vers le bas en exerçant une TRACTION TRÈS DÉLICATE pour s'assurer que l'abat-jour est bien attaché. [Voir **schéma 3**.]



**schéma 1**



**schéma 2**



**schéma 3**

## 10. Module de commande à distance portatif.

AFIN D'UTILISER LE MODULE DE TÉLÉCOMMANDE, VEUILLEZ PASSER À LA SECTION 10 pour les instructions d'assemblage de la commande à distance.

Si vous avez déjà installé la commande murale mais **ne** souhaitez **pas** utiliser le module de commande à distance, passez à la Section 11.

Tirez avec précaution sur le couvercle de commande à distance pour séparer les parties supérieure et inférieure. [Voir schéma 1.]

Afin d'utiliser la commande murale comme module de commande à distance, coupez chaque fil de la commande murale (qui n'a pas été précédemment utilisé) -- à l'aide d'une pince coupante coupez chaque fil aussi près de la commande murale que possible. [Voir schéma 2.]

Installer une batterie 12 Volt (incluse) dans la commande murale. [Voir schéma 2.]

Comme le ventilateur est livré avec des ampoules DEL, à lumière variable, la commande du gradateur (marquée DIM et ON) a été pré-réglée sur la position "ON" (Marche) (DIM). Si vous préférez ne pas activer la fonction variateur, amenez la commande du gradateur en position "OFF" (Arrêt) (ON). [Voir schéma 2.]

Fixez la plaque décorative noire sur la face avant de la commande murale ; appuyez fermement. [Voir schéma 3.]

Alignez les trous de la commande murale sur les tenons situés à l'intérieur de la partie SUPÉRIEURE du couvercle de la commande à distance et compressez fermement. Placez la commande murale dans la partie INFÉRIEURE du couvercle de la commande à distance, en veillant à aligner les tenons situés dans la partie supérieure du couvercle de la commande à distance avec les trous prévus à cet effet dans la partie inférieure. [Voir schéma 3.]

**(REMARQUE :** Assurez-vous d'aligner les extrémités plus étroites du couvercle de la commande à distance avant de refermer.) Serrez les parties supérieure et inférieure du couvercle de la commande à distance l'une contre l'autre jusqu'à ce que vous entendiez un dé clic à chaque extrémité, indiquant que le couvercle de la commande à distance est en place et verrouillé.

**IMPORTANT :** Entreposez la commande à distance portative à l'abri de l'humidité et de sources de chaleur intense. Pour éviter d'endommager la commande à distance portative, retirez la batterie si la commande à distance portative n'est pas utilisée pendant de longues périodes.

**AVERTISSEMENT : Risque d'étouffement** – Petites pièces. Gardez les piles hors de la portée des enfants.

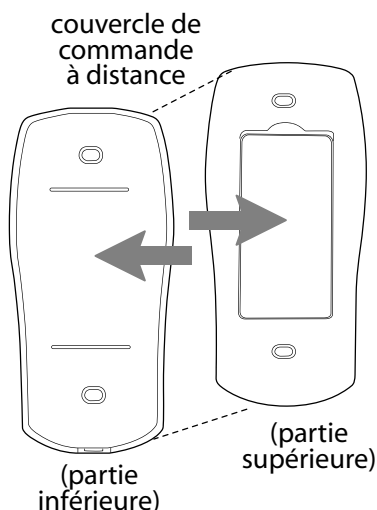


schéma 1

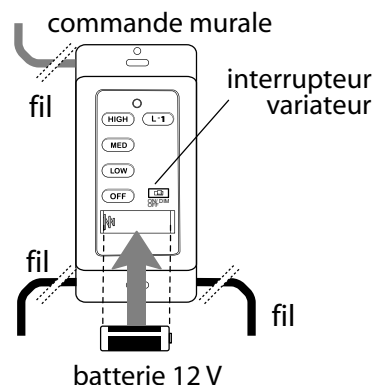


schéma 2

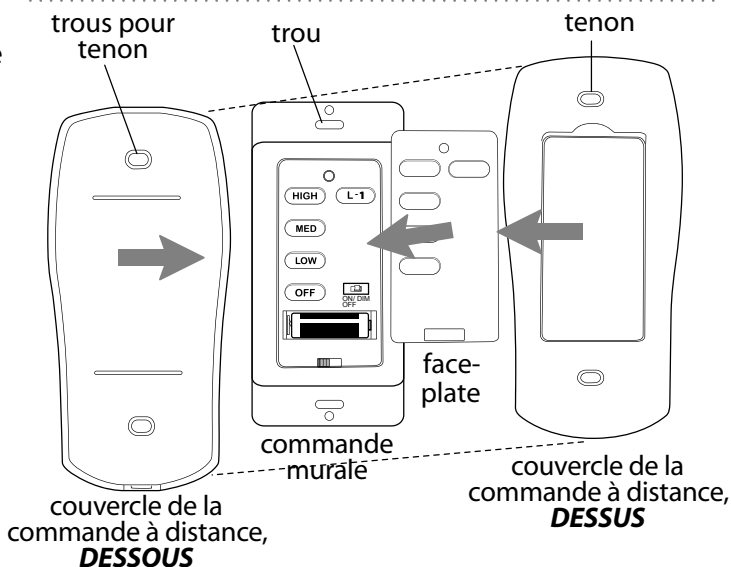


schéma 3

**ATTENTION :** NE PAS JETER LES PILES AU FEU; CELA PRÉSENTE UN RISQUE D'EXPLOSION OU DE FUITE. Lors de la mise au rebut des piles alcalines domestiques, il est recommandé de vérifier auprès des coordonnateurs des autorités locales et nationales chargés du recyclage des déchets domestiques dangereux pour les détails du programme dans votre région. Vous pouvez également trouver un centre de recyclage en composant le 1 888 224-9764 ou 1 877 2-RECYCLE (1 877 273-2925) ou visiter le site [www.call2recycle.org](http://www.call2recycle.org) pour plus d'informations.

## 11. Processus d'apprentissage automatisé / Activer code.

**ATTENTION :** La commande murale et/ou le module de télécommande peuvent être programmées de telle sorte qu'ils contrôlent plusieurs récepteurs ou ventilateurs. Si vous ne souhaitez pas programmer d'autres récepteurs ou ventilateurs programmables, mettez l'interrupteur mural de ceux-ci en position arrêt.

Rétablissez l'alimentation électrique puis, si vous utilisez la commande murale, amenez le commutateur à glissière de la commande murale en position ON (MARCHE). Dans les 60 secondes suivant la mise en marche de la commande murale, appuyez et maintenez enfoncé le bouton **OFF** situé sur la commande murale pendant 5 secondes ou jusqu'à ce que la lumière clignote deux fois.

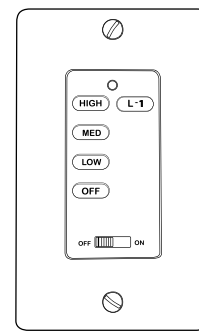
**Coupez l'alimentation à nouveau pendant au moins 5 secondes**, puis rétablissez-la. Dans les 60 secondes après avoir rétabli l'alimentation, appuyez et maintenez enfoncé le bouton **OFF** situé sur l'avant du module de commande à distance pendant 5 secondes ou jusqu'à ce que la lumière clignote deux fois.

Testez les fonctions du ventilateur pour vous assurer que le processus d'apprentissage est terminé - voir Section 13.

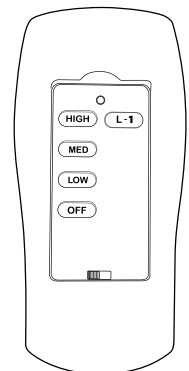
## 12. Utilisation de la commande à distance.

Commutateur à glissière - commute la commande murale en (ON/OFF) MARCHE ou ARRÊT (ON ou OFF)

- Bouton **HIGH** - commute le ventilateur sur la VITESSE ÉLEVÉE
- Bouton **MED** - commute le ventilateur sur la VITESSE MOYENNE
- Bouton **LOW** - commute le ventilateur sur la VITESSE LENTE
- Bouton **OFF** - met le ventilateur en position ARRÊT
- Bouton **L1** - MARCHE/ARRÊT du kit d'éclairage si appuyé une fois ; fait varier l'intensité de l'éclairage lorsqu'il est appuyé et maintenu enfoncé



commande murale



module de commande à distance

## 13. Testing Your Fan.

Il est recommandé de tester le ventilateur avant de mettre la dernière main à votre installation. Trouvez l'interrupteur coulissant ON/OFF (Marche/Arrêt) sur la commande murale et amenez-le en position ON (Marche). Testez la fonction lumière et variateur puis les vitesses du ventilateur. Trouvez ensuite le module de télécommande. Testez la fonction MARCHE/ARRÊT (ON/OFF) en appuyant sur le bouton L1. Testez la fonction variateur en appuyant sur le bouton L1 et en le maintenant enfoncé pendant 1 seconde. Testez les vitesses du ventilateur avec les différents boutons de commande de la vitesse du ventilateur. Si toutes les fonctions ventilateur et lumière de la commande murale et du module de télécommande sont opérationnelles, la batterie a été installée correctement dans les deux. Si la commande murale et/ou le module de télécommande ne permet(tent) pas de contrôler toutes les fonctions du ventilateur, veuillez consulter la section "Dépannage" pour résoudre toute question avant de contacter le Service Clientèle.

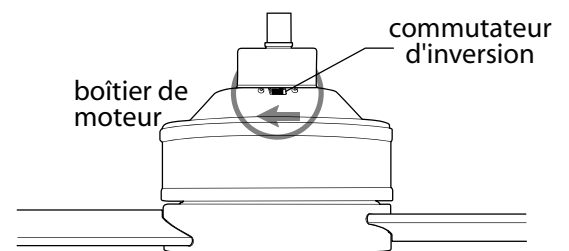
Arrêtez le ventilateur complètement *avant* d'actionner le commutateur d'inversion (situé sur le dessus du moteur). Amenez le commutateur d'inversion en position de recyclage/brassage d'air selon la saison :

- Position LEFT (gauche) pour l'été (**schéma 1**)
- Position RIGHT (droite) pour l'hiver (**schéma 2**)

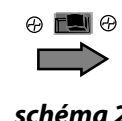
Un ventilateur de plafond vous permettra de régler votre thermostat sur une température plus élevée en été et moins élevée en hiver sans que cela n'affecte votre confort.

**Important :** Le commutateur d'inversion doit être amené *complètement vers la GAUCHE* ou *complètement vers la DROITE* pour que le ventilateur fonctionne. Si le commutateur d'inversion se trouve en position *médiane* [**schéma 3**], le ventilateur ne fonctionnera pas.

**REMARQUE :** Si la commande murale/le module de télécommande interfère avec d'autres appareils, coupez l'alimentation électrique et référez vous aux instructions figurant la Section 11.



**schéma 1**



**schéma 2**



**schéma 3**

## Dépannage.

**AVERTISSEMENT :** *Ne pas déconnecter l'alimentation électrique avant le dépannage de tout problème de câblage pourrait entraîner des blessures graves.*

**Problème :** Le ventilateur ne marche pas.

**Solutions :**

1. Vérifiez l'interrupteur mural contrôlant le ventilateur/la commande murale.
2. Vérifiez que l'interrupteur d'inversion est complètement réglé dans l'une ou l'autre direction.
3. Vérifiez que le branchement de la commande murale (utilisation facultative) est correct.
4. Vérifiez que le ventilateur est correctement câblé.
5. Il est possible que le processus d'apprentissage entre l'émetteur de la commande à distance et la commande murale ait échoué et que le code n'ait pas été activé. Coupez l'alimentation et répétez la procédure selon les instructions dans le dernier paragraphe de la Section 11 (page 11).
6. Vérifiez que le voyant rouge sur l'émetteur de la commande à distance s'allume lorsqu'un bouton est enfoncé, indiquant que la batterie est en bon état.

**Problème :** Le luminaire ne s'allume pas.

**Solutions :**

1. Vérifiez l'interrupteur mural contrôlant le ventilateur/la commande murale.
2. Vérifiez si les ampoules sont correctement installées.
3. Assurez-vous que les fils dans la garniture sont câblés correctement.
4. Vérifiez que les connexions Molex du kit d'éclairage sont raccordées correctement.
5. Il est possible que le processus d'apprentissage entre l'émetteur de la commande à distance et la commande murale ait échoué et que le code n'ait pas été activé. Coupez l'alimentation et répétez la procédure selon les instructions dans le dernier paragraphe de la Section 11 (page 11).

**Problème :** Le ventilateur fonctionne mais le luminaire ne s'allume pas.

**Solutions :**

1. Vérifiez si les ampoules sont correctement installées.
2. Assurez-vous que les fils dans la garniture sont câblés correctement.
3. Remplacez l'ampoule défectueuse avec une ampoule du même type.
4. Vérifiez que les connexions Molex du kit d'éclairage sont raccordées correctement.

**Problème :** Le ventilateur et la lumière ne fonctionnent pas avec la télécommande.

**Solutions :**

1. Vérifiez la batterie de la commande à distance.
2. Il est possible que le processus d'apprentissage entre l'émetteur de la commande à distance et la commande murale ait échoué et que le code n'ait pas été activé. Coupez l'alimentation et répétez la procédure selon les instructions dans le dernier paragraphe de la Section 11 (page 11).
3. Vérifiez la batterie de la commande murale ; assurez-vous qu'elle est en bon état.

**Problème :** Le ventilateur oscille.

**Solutions :**

1. Servez-vous du nécessaire d'équilibrage fourni dans l'un des sacs de quincaillerie. *Si aucun nécessaire d'équilibrage des pales n'est fourni, veuillez communiquer avec le service de soutien à la clientèle, au 1 800 486-4892, pour en réclamer un.*
2. Vérifiez que la(les) vis de pression de la chape du boîtier du moteur est (sont) bien serrée(s).
3. Vérifiez que la vis de pression de la boule de suspension est bien serrée.

## Garantie.

**GARANTIE À VIE LIMITÉE DE CRAFTMADE™ :**

CRAFTMADE garantit ce ventilateur à l'acheteur résidentiel original pour une utilisation à l'intérieur en vertu des dispositions suivantes :

**GARANTIE D'UN AN :** CRAFTMADE remplacera ou réparera tout ventilateur qui ne marche pas bien, en raison d'un défaut de matériaux ou de main d'œuvre. Communiquez avec le service à la clientèle de Craftmade au **1-800-486-4892** pour organiser le retour du ventilateur. Retournez le ventilateur, en port payé, à Craftmade. Nous réparerons le ventilateur ou vous en enverrons un nouveau et nous couvrirons les frais d'expédition de retour.

**GARANTIE DE 5 ANS :** CRAFTMADE réparera ou remplacera gratuitement pour l'acheteur original, tout moteur de ventilateur qui ne fonctionne pas correctement, si cette défaillance résulte d'un usage normal.

**RETOURNEZ LE MOTEUR DU VENTILATEUR UNIQUEMENT,** en port payé, à Craftmade. Nous réparerons le moteur ou vous en enverrons un nouveau et Craftmade couvrira les frais d'expédition de retour.

**GARANTIE LIMITÉE DE 6 ANS ou À VIE :** CRAFTMADE réparera le ventilateur sans facturer les frais de main d'œuvre uniquement à l'acheteur original, si le moteur du ventilateur ne fonctionne pas correctement, dans les cas où cette défaillance résulte d'un usage normal. Les pièces utilisées pour la réparation seront facturées à l'acheteur aux prix courants du marché au moment de la réparation.

L'acheteur sera responsable de tous les frais encourus pour le retrait, la réinstallation et l'expédition du produit pour les réparations.

Cette garantie n'est pas applicable lorsque des dommages causés par un abus mécanique, physique, électrique ou un abus dû à l'eau entraînent la défaillance. La détérioration des finis ou d'autres pièces au cours du temps ou en raison de l'exposition à l'air salin est spécifiquement exclue de cette garantie.

Ni Craftmade, ni le fabricant n'assumera aucune responsabilité en cas de mauvaise installation ou utilisation de ce produit. En aucun cas la société ne sera tenue responsable de tous dommages indirects en cas de violation de cette garantie ou de toute autre garantie expresse ou implicite quelconque. Cette restriction quant aux dommages indirects n'est pas applicable dans les états ou provinces où elle est interdite.

## Remplacement des pièces.

Pour les pièces et les renseignements, veuillez vous reporter à « Inventaire des pièces » à la page 3.

Soutien à la clientèle Craftmade :

**1 800 486-4892**

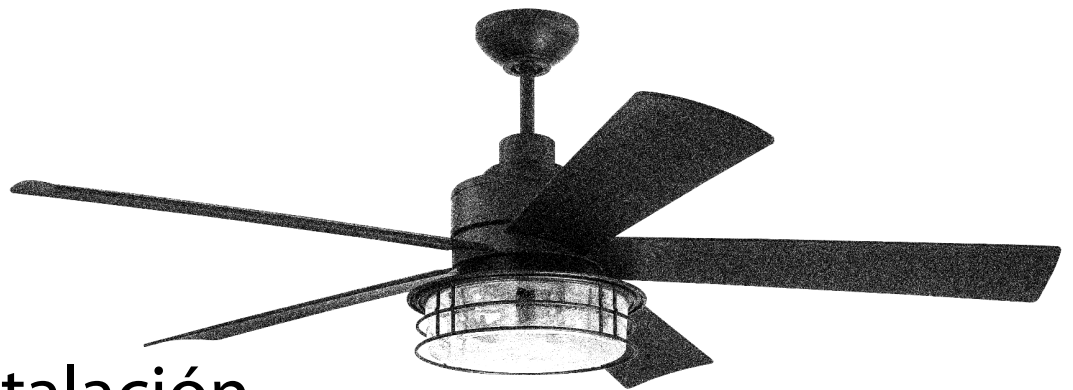
[www.craftmade.com](http://www.craftmade.com)

**CRAFTMADE™**



# CRAFTMADE™

LEER ESTAS INSTRUCCIONES Y  
GUARDARLAS PARA UTILIZACION FUTURA



## Garrick

# Guía de instalación

Para modelo:

## GAR56

### Índice de materias:

Sugerencias de seguridad. Pág. 2

Desempaquetado del ventilador. Pág. 3

Inventario de piezas. Pág. 3

Preparación para la instalación. Pág. 4

Instalación del soporte de montaje. Pág. 4

Ensamblaje del ventilador. Págs. 5 - 6

Instalación eléctrica. Pág. 7

Colocación de la cubierta decorativa. Pág. 8

Colocación de las aspas. Pág. 8

Instalación del juego de luz. Pág. 9

Ensamblaje del control remoto de mano. Pág. 10

Proceso de aprendizaje automático./

Activar el código. Pág. 11

Funcionamiento del control remoto/  
de pared. Pág. 11

Verificación del funcionamiento del  
ventilador. Pág. 11

Localización de fallas. Pág. 12

Garantía. Pág. 12

Piezas de repuesto. Pág. 12



**LISTED**

**For  
Wet Location**

E192641

APROBADO PARA USO  
EN LUGARES MOJADOS

peso neto del ventilador: 14,1 kg (31,09 lb)

# SUGERENCIAS DE SEGURIDAD.

**ADVERTENCIA:** para evitar la posibilidad de una descarga eléctrica, desconectar la corriente en la caja de fusibles principal o el interruptor protector antes de iniciar la instalación del ventilador o antes de repararlo o instalar accesorios.

1. **LEER TODAS LAS INSTRUCCIONES E INFORMACIÓN DE SEGURIDAD CUIDADOSAMENTE ANTES DE INSTALAR SU VENTILADOR Y GUARDAR ESTAS INSTRUCCIONES.**

**PRECAUCIÓN:** para reducir el riesgo de daño corporal, es posible que sea necesario usar guantes al manejar las piezas del ventilador que tengan bordes afilados.

2. Asegurarse de que todas las conexiones eléctricas cumplan con los Códigos o las Ordenanzas Locales, el Código Nacional Eléctrico y ANSI/NFPA 70-1999. Si usted no está familiarizado con el alambrado eléctrico o los cables de la casa/el edificio son de colores diferentes a los cuales se refieren en las instrucciones, favor de buscar un electricista calificado.
3. Asegurarse de que haya localizado una ubicación para su ventilador que permite el espacio necesario para la rotación de las aspas, y por lo menos 2,13 metros (7 pies) de espacio libre entre el piso y las puntas de las aspas. Debe instalar el ventilador para que las puntas de las aspas queden a una distancia de por lo menos 76 centímetros (30 pulgadas) de las paredes y otras estructuras verticales.
4. La caja de salida eléctrica debe estar bien sujeta a la viga de soporte del techo y deben ser capaces de sostener por lo menos 16 kilogramos (35 libras). La caja de salida debe tener apoyo directo de la estructura del edificio. Sólo usar cajas de salida registradas con CUL (Canadá) or UL (EE.UU) que indican que "sirven para ventilador" ("FOR FAN SUPPORT" en inglés).

**ADVERTENCIA:** para reducir el riesgo de incendio, descarga eléctrica o daño corporal, instalar en la caja de salida marcada "Aceptable para sostener ventilador de 15,9 kg (35 lb) o menos" ["Acceptable for Fan Support of 15.9 kg (35 lb) or less"] y utilizar los tornillos proporcionados con la caja de salida. La mayoría de las cajas de salida que normalmente se usan para sostener aparatos de alumbrado no siempre son apropiadas para sostener ventiladores y es posible que las tenga que reemplazar. En caso de duda, consultar con un electricista calificado.

**ADVERTENCIA:** para reducir el riesgo de incendio, descarga eléctrica o daño corporal, los conectores para cable provistos con este ventilador son diseñados para aceptar sólo un cable de calibre 12 de la casa y dos cables principales del ventilador. Si el calibre del cable de la casa es superior al 12 o hay más de un cable de la casa para conectar a los cables principales del ventilador al cual corresponda cada uno, consultar con un electricista para informarse sobre el tamaño correcto de conectores para cable que se debe usar.

**ADVERTENCIA:** si va a utilizar este ventilador en un lugar MOJADO, hay que conectar el ventilador a un circuito de alimentación que esté protegido por un Interruptor de Circuito de Falla de Tierra (GFCI, por sus siglas en inglés) para reducir el riesgo de daño corporal, descarga eléctrica o la muerte.

5. Los diagramas eléctricos son únicamente para referencia.
6. Después de haber terminado la instalación, asegurarse de que todas las conexiones estén totalmente seguras.
7. Después de haber terminado todas las conexiones eléctricas, los conductores empalmados deben ser volteados para arriba y colocados cuidadosamente dentro de la caja de salida. Los alambres se deben de separar con el conductor a tierra a un lado y el conductor a tierra del equipo al lado opuesto.

**ADVERTENCIA:** para reducir el riesgo de incendio o una descarga eléctrica, no usar el ventilador con ningún control de velocidad de estado sólido ni controlar la velocidad del ventilador con un interruptor con reductor de luz de gama completa. [El usar un interruptor con reductor de luz de gama completa para controlar la velocidad del ventilador causará un zumbido recio del ventilador.]

8. No utilizar el interruptor de reversa hasta que el ventilador se haya parado completamente. [Nota: si se usa un control remoto con capacidad de reversa, cambiar la dirección de las aspas sólo cuando el ventilador esté en velocidad BAJA].
9. No insertar ningún objeto entre las aspas mientras estén rotando.

**ADVERTENCIA:** para reducir el riesgo de daño corporal, no doblar los brazos de las aspas durante el ensamblaje ni durante la instalación. No insertar objetos entre las aspas mientras estén rotando.

**ADVERTENCIA:** para reducir el riesgo de daño corporal o algún daño al ventilador, tener cuidado al estar trabajando alrededor del ventilador o limpiándolo.

10. No utilizar agua ni detergentes para limpiar el ventilador ni las aspas. Usar un trapo seco o ligeramente húmedo para su limpieza general.

**ADVERTENCIA:** para reducir el riesgo de daño corporal, usar **sólo** las piezas provistas con este ventilador. **Al usar piezas DISTINTAS a las provistas con este ventilador se invalidará la garantía.**

**ADVERTENCIA:** Este ventilador DEBE instalarse con el cable de seguridad provisto. Si no se utiliza el cable de seguridad provisto, se pueden producir lesiones personales, daños al ventilador o a otras propiedades.

Las modificaciones no aprobadas por la parte responsable de la conformidad podrían invalidar la autorización del usuario para manejar el equipo. [El equipo se refiere al control remoto y/o el control de pared y/o el juego de luz.]

**NOTA:** se han hecho pruebas en este equipo y se ha comprobado que cumple con los límites para un aparato digital de clase B, de acuerdo con la Parte 15 de las Reglas de la FCC. Se concibieron estos límites para proveer protección razonable contra la interferencia adversa en una instalación residencial. Este equipo produce, usa y puede radiar energía de radiofrecuencia y, si no se instala y no se usa según las instrucciones, puede causar interferencia adversa en la radiocomunicación. Sin embargo, no hay ninguna garantía de que no habrá interferencia en una instalación en particular. Si este equipo sí causa interferencia adversa en la recepción de radio o televisión, que se puede determinar apagando y prendiendo el equipo, se le urge al usuario a intentar rectificar la interferencia tomando una o más de las medidas que siguen:

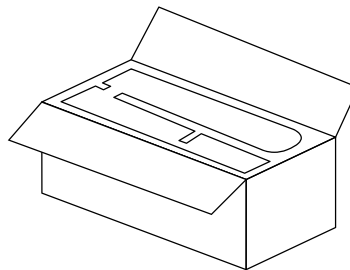
- \* Orientar la antena de nuevo o localizarla en otro sitio.
- \* Aumentar la separación entre el equipo y el receptor.
- \* Conectar el equipo a un tomacorriente en un circuito distinto al cual está conectado el receptor.
- \* Solicitar ayuda del distribuidor o un técnico de radio/televisión.

**NOTA:** No se debe concluir que las precauciones de seguridad importantes e instrucciones en este manual van a abarcar todas las condiciones y situaciones posibles que puedan ocurrir. Se debe entender que el sentido común y la precaución son factores necesarios en la instalación y la operación de este ventilador.

# 1. Desempaquetado del ventilador.

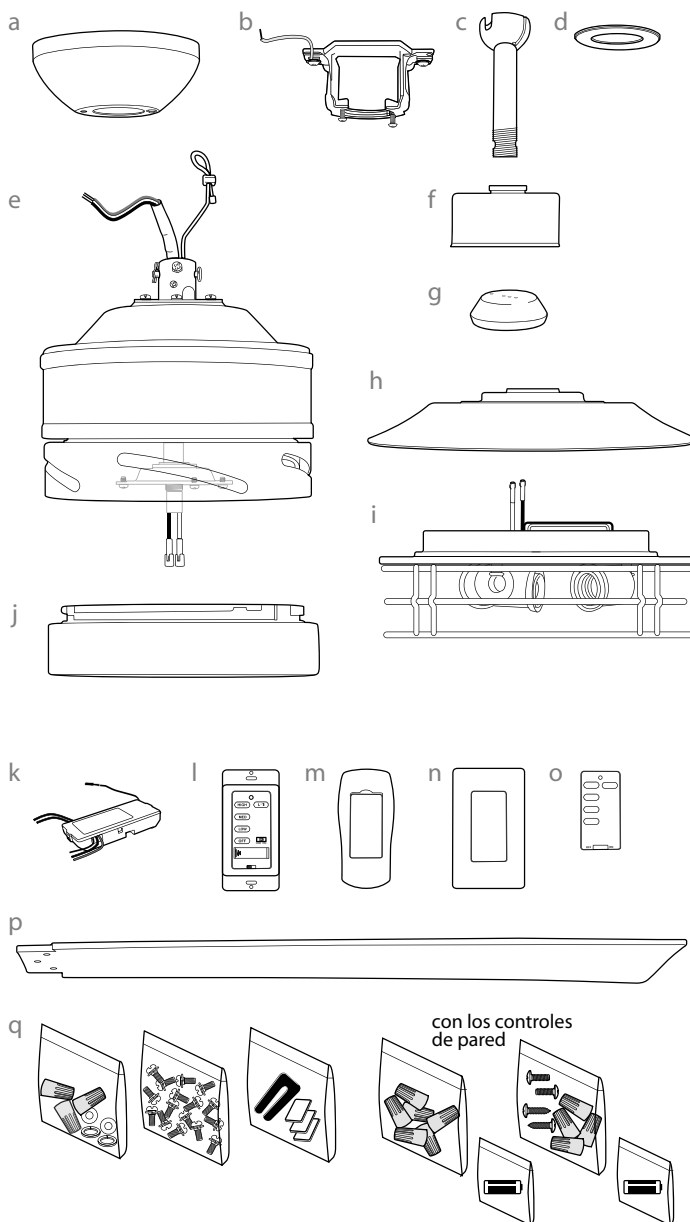
Abrir el empaque cuidadosamente. Sacar los artículos del embalaje. Sacar el motor y ponerlo en una alfombra o en el embalaje para evitar rayar el acabado. Guardar la caja de cartón o el empaquetamiento original en caso de que tenga que mandar el ventilador para alguna reparación.

Comprobar las piezas del ventilador con el inventario de piezas y verificar que se incluyeron todas.



# 2. Inventario de piezas.

- a.** cubierta decorativa. 1 unidad
- b.** soporte de montaje. 1 unidad
- c.** tubo y bola que sirve para colgar. 1 unidad
- d.** tapa de la cubierta decorativa (en paquete de artículos de ferretería). 1 unidad
- e.** bastidor del motor. 1 unidad
- f.** cubierta del cuello. 1 unidad
- g.** cubierta a prueba de la intemperie para la bola que sirve para colgar. 1 unidad
- h.** placa de conexión. 1 unidad
- i.** juego de luz. 1 unidad
- j.** pantalla de vidrio. 1 unidad
- k.** receptor del control remoto. 1 unidad
- l.** control de pared. 2 unidades
- m.** cubierta del control remoto. 1 unidad
- n.** placa. 1 unidad
- o.** tapa. 3 unidades
- p.** aspa. 5 unidades
- q.** paquetes de artículos de ferretería



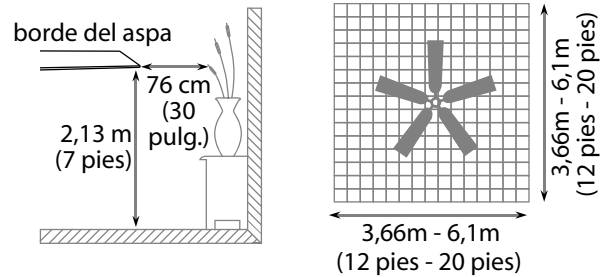
**⚠ RECORDATORIO IMPORTANTE:**  
Se tienen que utilizar las piezas provistas con este ventilador para una instalación adecuada y su seguridad. **⚠**

**bombillas necesarias:**  
3 bombillas LED base mediana de 6 vatios máx. (incluidas)



### 3. Preparación para la instalación.

Para prevenir daño corporal y otros daños, estar seguro de que el lugar en donde va a colgar el ventilador le permite un espacio libre de 2,13 m (7 pies) entre las puntas de las aspas y el piso y 76 cm (30 pulg.) entre las aspas y cualquier pared u otra obstrucción. Este ventilador es adecuado para habitaciones hasta 37,2 metros cuadrados (400 pies cuadrados).

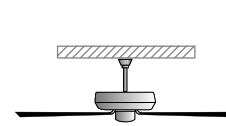


Se puede colgar este ventilador **con tubo** en un techo regular (sin inclinación) o abovedado. La longitud colgante se puede extender comprando un tubo más largo (con un diámetro de 1,27cm/0,5 pulg.). No hay ningún otro tipo de instalación, como **al ras con el techo**, disponible para este ventilador.

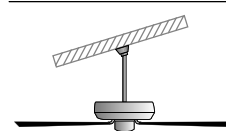
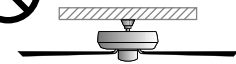
#### Se necesitan las herramientas siguientes para la instalación:

destornillador de estrella Phillips, destornillador de paleta (plano), alicates ajustables o llave de tuercas, escalera de tijera, cortaalambres y cinta aisladora.

#### instalación con tubo



#### instalación al ras con el techo



El ángulo de inclinación de un techo abovedado no debe exceder los 25 grados.

### 4. Instalación del soporte de montaje.

Apagar los cortacircuitos en el panel de electricidad que suplen corriente a la caja de salida y asegurarse de que el interruptor de luz esté APAGADO.

**ADVERTENCIA:** el no desconectar el suministro de fuerza antes de la instalación puede tener por resultado lesiones graves.

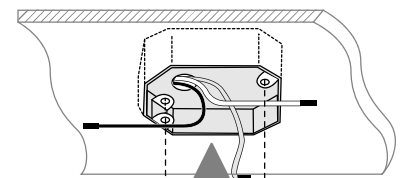
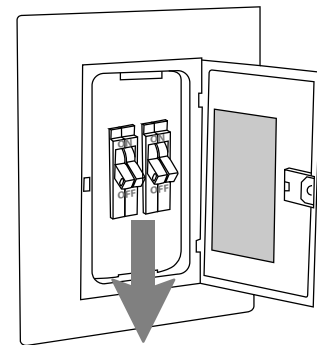
Quitar el aparato existente.

**ADVERTENCIA:** si utiliza una caja de salida existente, asegurarse de que la caja de salida esté firmemente conectada a la estructura del edificio y que sea capaz de sostener el peso total del ventilador. Asegurarse de que la caja indique claramente que "Sirve para ventilador" (FOR FAN SUPPORT); si no, se debe reemplazar con una caja de salida aprobada. El no hacer el cambio si es necesario puede resultar en lesiones graves.

**PRECAUCION:** asegurarse de que la caja de salida esté conectada a tierra correctamente y que haya un conductor a tierra (cable **VERDE** o pelado).

Instalar el soporte de montaje utilizando los tornillos originales, las arandelas de resorte y las arandelas planas de su nueva o existente caja de salida.\* Si hace la instalación en un techo abovedado, colocar el soporte de montaje con la abertura dirigida hacia la parte alta del techo. Arreglar el alambrado eléctrico (los cables) en la parte de atrás del soporte y lejos de la abertura del soporte.

**\*Nota:** es muy importante usar los artículos de ferretería correctos al instalar el soporte de montaje puesto que sirve para sostener el ventilador.

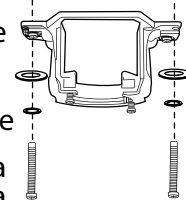


soporte de montaje

arandelas planas

arandelas de resorte

tornillos de la caja de salida



## 5. Ensamblaje del ventilador.

Quitar la bola que sirve para colgar del tubo provisto aflojando el tornillo de fijación de la bola que sirve para colgar. Bajar la bola que sirve para colgar y sacar el perno de tope y luego quitar la bola que sirve para colgar deslizándola. [Referirse al **diagrama 1**].

Aflojar los tornillos de fijación del cuello y las tuercas en la parte superior del bastidor del motor. Quitar el perno y la clavija del cuello del bastidor del motor. [Referirse al **diagrama 2**].

**Sugerencia:** para preparar los cables para pasarlos por el tubo, poner un pedacito de cinta aisladora en la punta de los cables -- esto mantendrá los cables juntos al pasarlos por el tubo. [Referirse al **diagrama 2**].

Determinar el largo del tubo que desea usar. Pasar los cables del ventilador a través del extremo roscado del tubo y con cuidado jalar el cableado en exceso por la parte de arriba del tubo. [Referirse al **diagrama 2**].

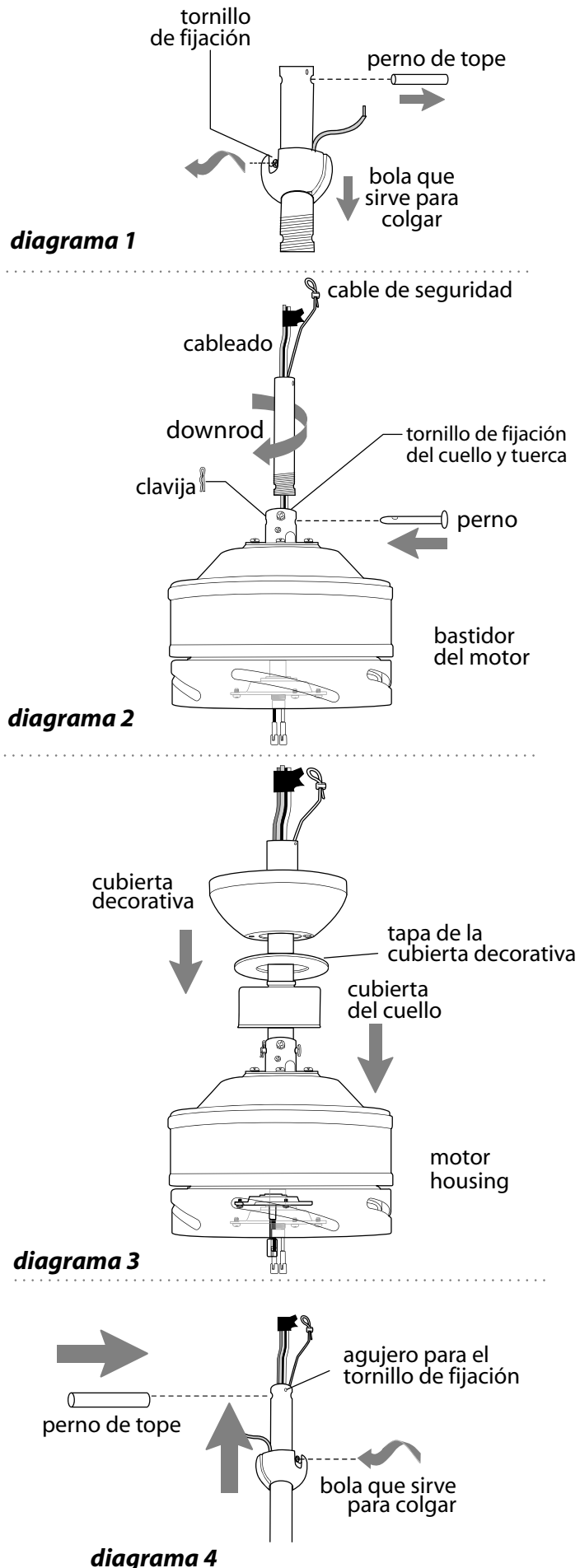
Enroscar el tubo en el cuello del bastidor del motor hasta alinearse los agujeros para el perno y la clavija en el tubo con los del cuello — *asegurarse de que no se tuerzan los cables*. Volver a introducir el perno y la clavija que se quitaron anteriormente. Apretar los tornillos de fijación del cuello y las tuercas completamente. [Referirse al **diagrama 2**].

Localizar la tapa de la cubierta decorativa en uno de los paquetes de artículos de ferretería. Deslizar la cubierta para el cuello, la tapa de la cubierta decorativa y la cubierta decorativa por el tubo. [Referirse al **diagrama 3**]. (**Nota:** se debe voltear la tapa de la cubierta decorativa para que el lado brillante dé al bastidor del motor).

Pasar los cables y el cable de seguridad por la bola que sirve para colgar; luego deslizar la bola que sirve para colgar sobre el tubo--la parte de arriba del tubo debe tener el agujero para el tornillo de fijación en ese extremo; usar ese agujero al colocar el tornillo de fijación. Introducir el perno de tope en la parte de arriba del tubo y subir la bola que sirve para colgar. Asegurarse de que el perno de tope se ponga en línea con las ranuras dentro de la bola que sirve para colgar. Apretar bien los tornillos de fijación. [Referirse al **diagrama 4**].

**ADVERTENCIA:** si no se aprietan bien los tornillos de fijación es posible que se afloje el ventilador y se caiga.

**["Ensamblaje del ventilador" continúa en la página siguiente].**



## 5. Ensamblaje del ventilador. (cont.)

Quitar la cinta aisladora del cableado y pasar un cable por cada agujero en la cubierta a prueba de la intemperie para la bola que sirve para colgar. Asegurar la cubierta a prueba de la intemperie a la bola (en el tubo) que sirve para colgar. [Referirse al **diagrama 5**].

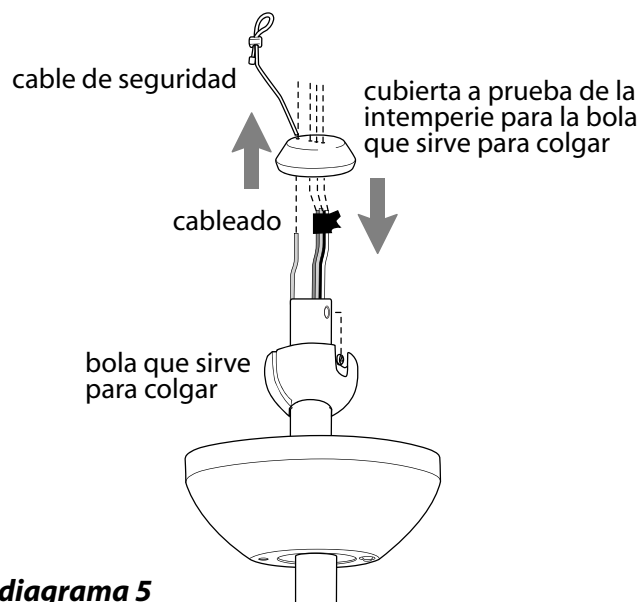
**NOTA:** no se debe concluir que las precauciones de seguridad importantes e instrucciones en este manual van a abarcar todas las condiciones y situaciones posibles que puedan ocurrir. Se debe entender que el sentido común y la precaución son factores necesarios en la instalación y la operación de este ventilador.

Ya que esté sujetado el soporte de montaje a la caja de salida y capaz de apoyar el ventilador, usted está listo para colgar el ventilador. Agarrar el ventilador firmemente con las dos manos. Deslizar el tubo por la abertura del soporte de montaje y dejar que se detenga la bola en el soporte de montaje. Girar la bola que sirve para colgar hasta que la ranura de la bola se alinee con la parte saliente del soporte de montaje.

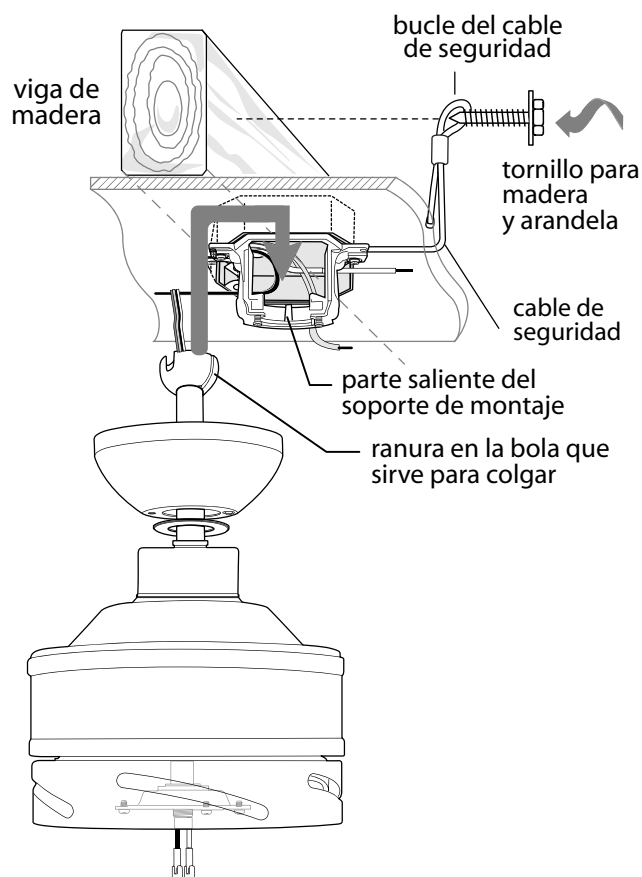
**ADVERTENCIA:** el no alinear la ranura en la bola que sirve para colgar con la parte saliente del soporte de montaje puede causar lesiones graves o la muerte.

**Sugerencia:** solicitar ayuda de otra persona para mantener la escalera sujeta y para que le suba el ventilador cuando usted ya esté preparado en la escalera para colgarlo.

Encontrar un punto de acoplamiento seguro (se recomienda la viga de madera en el techo) y asegurar el cable de seguridad. Utilizar tornillo para madera para trabajos pesados, arandela y arandela de seguridad (no provistos) en el bucle del cable de seguridad. Si es necesario, ajuste el bucle en el extremo del cable de seguridad. El bucle en el extremo del cable de seguridad debe ser de tal tamaño que pase justo sobre la punta de la parte roscada del tornillo para madera. Poner el cable a prueba, jalando con alicate la parte suelta en la punta del cable. Si el cable se desliza o se reduce el bucle del cable por donde pasa el tornillo, hay que ajustar el bucle de nuevo. Se puede poner el cable en exceso en el área del techo. [Referirse al **diagrama 6**].



**diagrama 5**



**diagrama 6**

## 6. Instalación eléctrica.

**ADVERTENCIA:** apagar los cortacircuitos en el panel de electricidad que suplen corriente a la caja de salida y asegurarse de que el interruptor de luz esté APAGADO.

**PRECAUCIÓN:** asegurarse de que la caja de salida esté conectada a tierra como es debido o que exista un conductor a tierra (**VERDE** o **pelado**).

Asegurarse de que toda conexión eléctrica cumpla con los Códigos o las Ordenanzas Locales y el Código Nacional Eléctrico. Si usted no está familiarizado con la instalación eléctrica o los cables de la casa/el edificio son de colores diferentes a los cuales se refieren a continuación, favor de buscar un electricista calificado.

**Nota:** si la longitud del alambrado que sale del ventilador es demasiado, se puede cortar al largo deseado y luego pelarlo.

**ADVERTENCIA:** si va a utilizar este ventilador en un lugar **MOJADO**, hay que conectar el ventilador a un circuito de alimentación que esté protegido por un Interruptor de Circuito de Falla de Tierra (GFCI, por sus siglas en inglés) para reducir el riesgo de daño corporal, descarga eléctrica o la muerte.

Una vez que el ventilador esté bien sujeto en el soporte de montaje, **ALAMBRAR EL RECEPTOR** con los conectores para cable provistos así como se muestra en el diagrama al lado.

**Sugerencia:** mientras está haciendo la instalación eléctrica, recordar que los cables no deben impedir el posicionamiento del receptor en el soporte de montaje.

\* Como una medida de seguridad adicional, envolver cada conector para cable por separado con cinta aisladora.

Meter el receptor (con el lado plano boca arriba) en el soporte de montaje y cuidadosamente empujar los cables y los conectores para cable que tienen cinta dentro de la caja de salida. Dejar que la antena del receptor del control remoto quede *fuera* del soporte de montaje.

**[FAVOR DE DARSE CUENTA:** hay que utilizar el control de pared y/o el control remoto de mano para que funcione el ventilador. Si **no** desea utilizar el control de pared, favor de pasar a la sección 7, página 8 para seguir con la instalación del ventilador].

**Para instalar el control de pared,** quitar el interruptor de pared existente. Alambrear uno de los controles de pared con los conectores para cable provistos así como se muestra en el diagrama al lado.

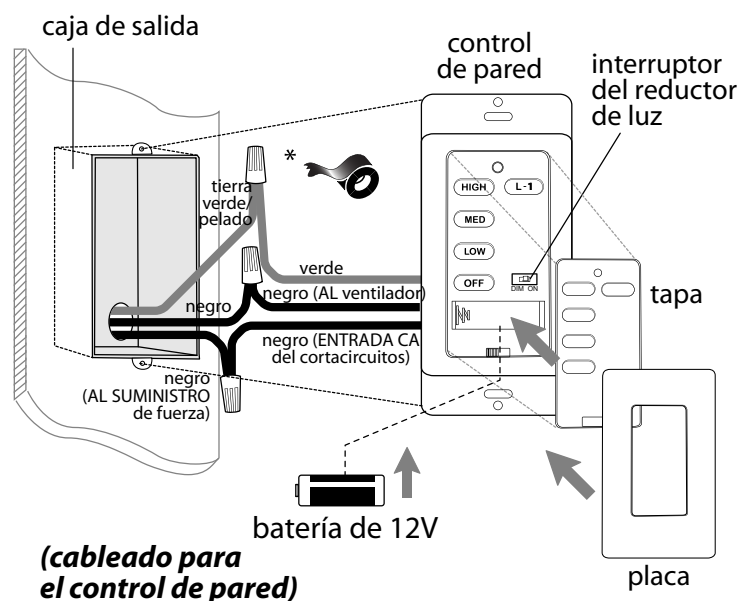
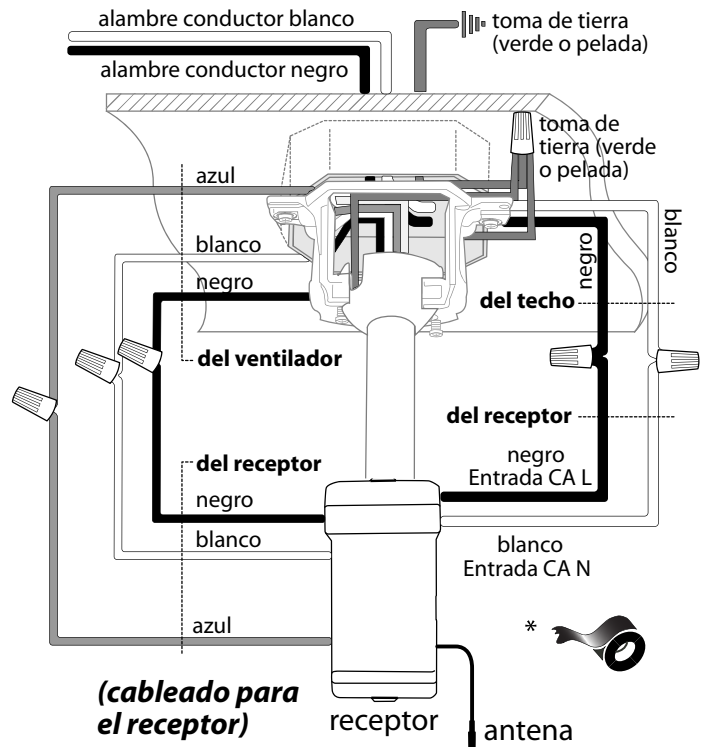
\* Como una medida de seguridad adicional, envolver cada conector para cable con cinta aisladora. Delicadamente meter los cables y los conectores para cable que tienen cinta dentro de la caja de salida.

Instalar 1 batería de 12 voltios (incluida) en el control de pared.

**IMPORTANTE:** el control de pared no funcionará sin que se instale la batería.

Ya que este ventilador viene con bombillas atenuables LED, el interruptor del reductor de luz (etiquetado **DIM** y **ON**) está programado de antemano en posición "ENCENDIDO" (**DIM**). Si no desea tener la capacidad de bajar la luz, favor de mover el interruptor a la posición "APAGADO" (**ON**).

Escoger una tapa (color almendra o blanco) y apretarla fijamente en la parte delantera del control de pared. Sujetar el control de pared a la caja de salida y asegurarlo con los tornillos del interruptor de pared original. Sujetar la placa (incluida) al control de pared usando los dos tornillos provistos con el control de pared.

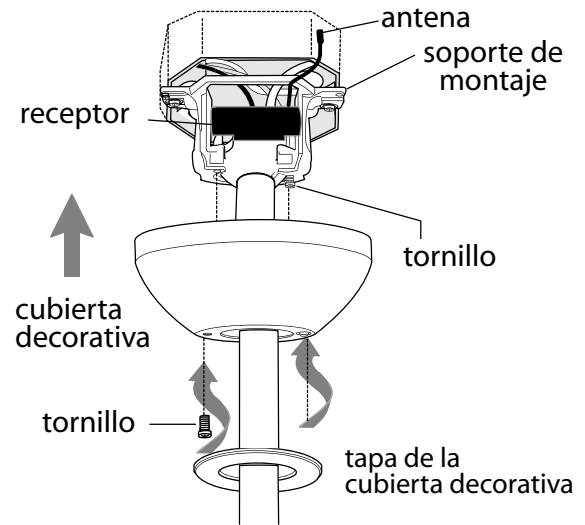


## 7. Colocación de la cubierta decorativa.

Localizar los 2 tornillos en la parte inferior del soporte de montaje y quitar el tornillo que está localizado más cerca del extremo abierto del soporte de montaje. Aflojar parcialmente el otro tornillo. Elevar la cubierta decorativa hasta el soporte de montaje. Poner la parte redondeada del agujero con ranura en la cubierta decorativa encima del tornillo aflojado en el soporte de montaje y empujar hacia arriba. Girar la cubierta decorativa para cerrarla. Volver a introducir el tornillo que se quitó y luego apretar bien ambos tornillos.

Subir la tapa de la cubierta decorativa hasta la cubierta decorativa, alineando la parte redondeada de los agujeros con ranura en la tapa de la cubierta decorativa con las cabezas de tornillo en el fondo de la cubierta decorativa. Girar la tapa de la cubierta decorativa a la derecha (en el sentido de las agujas del reloj) hasta que ya no gire.

\*Recordar que la antena del receptor del control remoto debe quedar *fuera* del soporte de montaje.

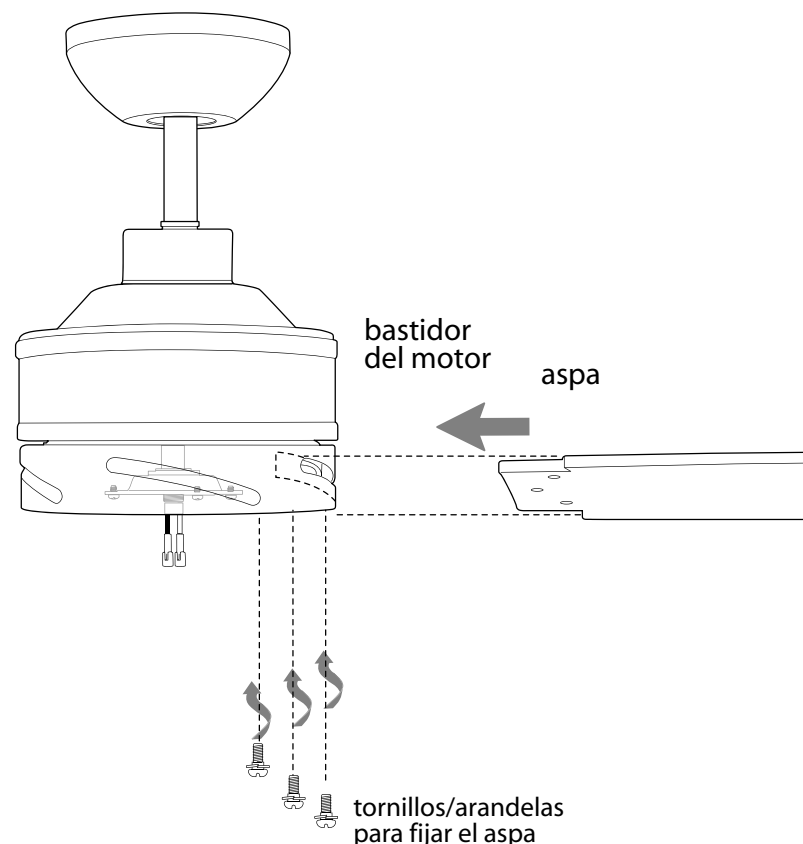


## 8. Colocación de las aspas.

**ADVERTENCIA:** para reducir el riesgo de lesiones corporales graves, NO utilizar herramientas eléctricas para ensamblar las aspas. Si aprieta demasiado los tornillos, las aspas podrían agrietarse y quebrarse.

Localizar los 15 tornillos/arandelas para fijar las aspas en uno de los paquetes de artículos de ferretería. Deslizar un aspa por una de las aberturas estrechas y rectangulares en el bastidor del motor, alineando los agujeros en el aspa con los agujeros en el brazo para el aspa (**localizado en el lado inferior del bastidor del motor**)--referirse al dibujo al lado. [Fijarse en la etiqueta en el aspa que indica **ESTE LADO HACIA ARRIBA** y voltear el aspa para que la etiqueta esté orientada hacia arriba]. Introducir 3 tornillo/arandelas para fijar el aspa con los dedos primero y luego apretarlos bien con un destornillador de estrella Phillips. Repetir el procedimiento con las demás aspas.

**Nota:** apretar los tornillos para fijar las aspas dos veces al año.





## 9. Instalación del juego de luz .

Quitar 1 tornillo de la placa del motor en el lado inferior del motor y parcialmente aflojar los otros 2 tornillos.

Alinear los agujeros con ranura de la placa de conexión con los tornillos aflojados en la placa del motor, dejando que las conexiones molex del bastidor del motor pasen por el agujero de en medio de la placa de conexión. Girar la placa de conexión para cerrar. Volver a introducir el tornillo que se quitó anteriormente y asegurar los 3 tornillos con un destornillador de estrella Phillips. [Referirse al **diagrama 1**].

Conectar el cable **BLANCO** del bastidor del motor al cable **BLANCO** del juego de luz. Conectar el cable **AZUL** o (**NEGRO**) del bastidor del motor al cable **NEGRO** del juego de luz . Asegurarse de que se conecten bien las conexiones molex.

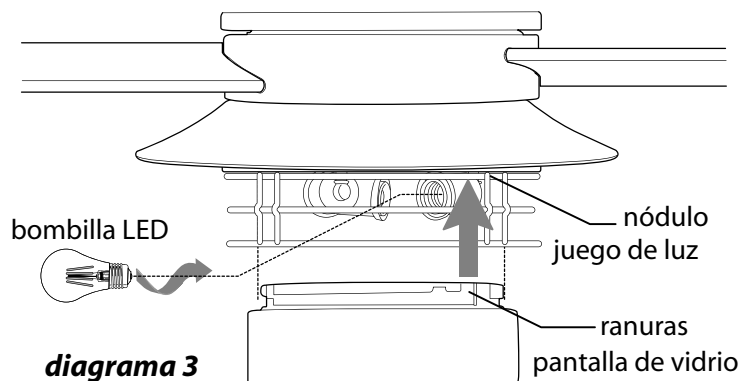
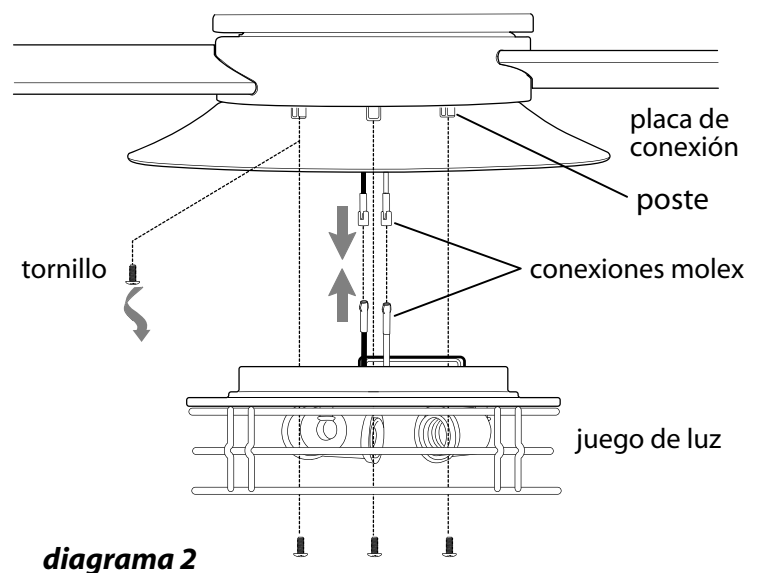
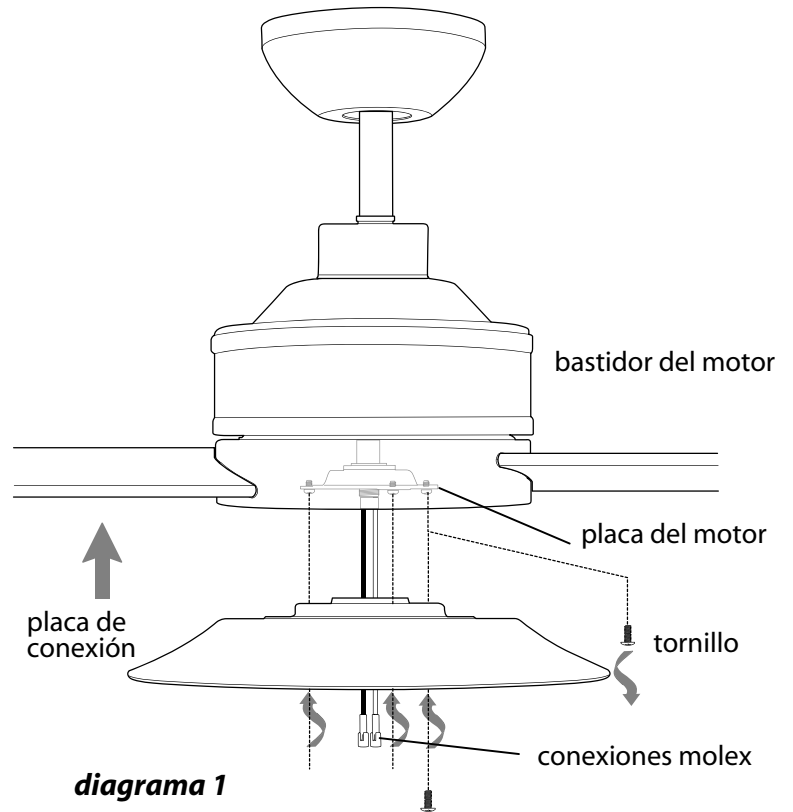
Quitar tornillos de los 3 postes localizados en el lado inferior de la placa de conexión. Con cuidado arreglar los cables dentro del juego de luz. Alinear los agujeros en el juego de luz con los postes localizados en la placa de conexión. Volver a introducir los tornillos que se quitaron anteriormente y apretar bien los 3 tornillos con un destornillador de estrella Phillips. [Referirse al **diagrama 2**].

Instalar 3 bombillas LED de base mediana de 6 vatios (incluidas).

**IMPORTANTE:** cuando reemplace la bombillas, deje que se enfríen las bombillas y la pantalla antes de tocarlas.

Alinear las ranuras en la pantalla con los nódulos en el borde interior del juego de luz y, con cuidado, empujar la pantalla hacia arriba. Girar la pantalla hacia la DERECHA (en sentido de las agujas del reloj) hasta que quede encajada.

Con **MUCHO CUIDADO** jalar la pantalla hacia abajo para asegurarse de que quedó bien encajada. (Referirse al **diagrama 3**).



## 10. Ensamblaje del control remoto de mano.

PARA PODER UTILIZAR EL CONTROL REMOTO DE MANO, PASAR A LA SECCIÓN 10 para armar el control remoto. Si ya se instaló el control de pared pero **no** desea utilizar el control remoto de mano, pasar a la sección 11.

Con cuidado separar la cubierta del control remoto, despegando la parte superior de la inferior. [Referirse al **diagrama 1**].

Para utilizar el control de pared como control remoto de mano, cortar cada cable en el control de pared (que no se usó anteriormente)--usar cortaalambres para cortar cada cable y quede tan corto como sea posible. [Referirse al **diagrama 2**].

Instalar 1 batería de 12 voltios (incluida) en el control de pared. [Referirse al **diagrama 2**].

Ya que este ventilador viene con bombillas atenuables LED, el interruptor del reductor de luz (etiquetado **DIM** y **ON**) está programado de antemano en posición "ENCENDIDO" (**DIM**). Si no desea tener la capacidad de regular la intensidad de la luz, mover el interruptor a la posición "APAGADO" (**ON**). [Referirse al **diagrama 2**].

Fijar la **tapa negra** a la parte delantera del control de pared; apretar la tapa fijamente. [Referirse al **diagrama 3**].

Alinear los agujeros en el control de pared con los postes que se encuentran *adentro de* la parte SUPERIOR de la cubierta del control remoto y apretar fijamente. Colocar el control de pared dentro de la parte INFERIOR de la cubierta del control remoto, alineando los postes en la parte superior de la cubierta del control remoto con los agujeros para los postes en la parte inferior. [Referirse al **diagrama 3**].

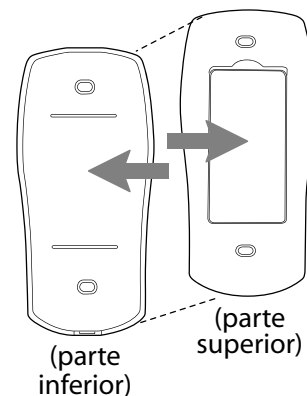
(**NOTA:** asegurarse de alinear los extremos más angostos de la cubierta del control remoto antes de cerrarla.) Apretar la parte superior e inferior de la cubierta del control remoto hasta que se oiga un "clic" en cada extremo, lo cual indicará que se haya cerrado completamente la cubierta del control remoto.

**IMPORTANTE:** guardar el control remoto de mano lejos del calor excesivo o la humedad. Para prevenir daño al control remoto de mano, sacar la batería si no se va a utilizar el control remoto por un tiempo extendido.

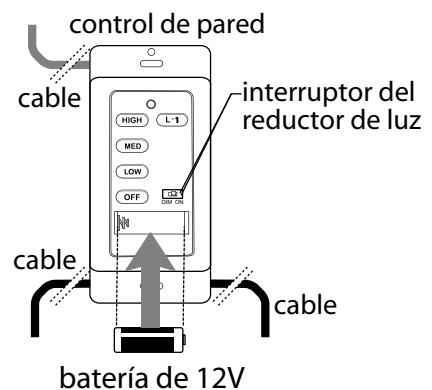
**PRECAUCIÓN:** "NO ARROJAR LAS BATERÍAS AL FUEGO, PUEDEN EXPLOTAR O CHORREAR" - Antes de desechar baterías alcalinas domésticas, se recomienda consultar a los coordinadores de residuos domésticos peligrosos o de reciclaje locales y estatales para solicitarles información específica sobre el programa vigente en su zona. A su vez, puede localizar un centro de reciclaje llamando al 1-800-8-BATTERY o el 1-877-2-RECYCLE, o visitando la página [www.epa.gov/epawaste/index.htm](http://www.epa.gov/epawaste/index.htm) o [www.earth911.org](http://www.earth911.org) para obtener más información.

**ADVERTENCIA: peligro de asfixia** - Piezas pequeñas. Mantener las baterías fuera del alcance de los niños.

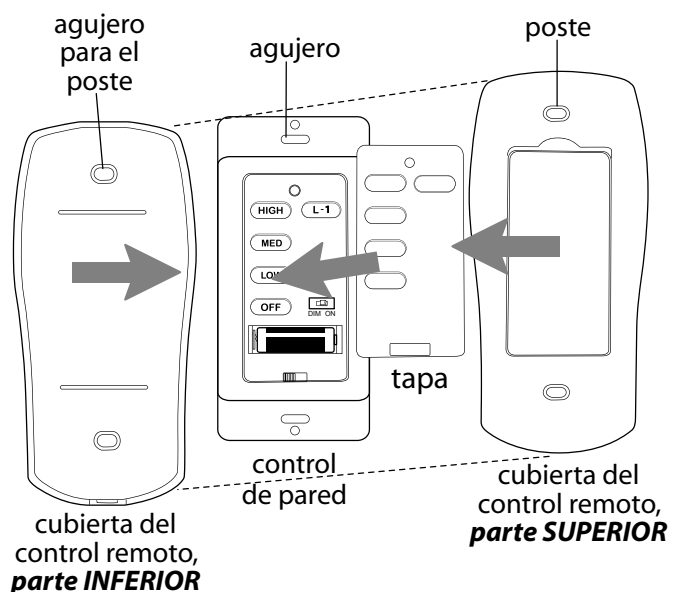
cubierta del control remoto



**diagrama 1**



**diagrama 2**



**diagrama 3**

## 11. Proceso de aprendizaje automático./Activar el código.

**PRECAUCIÓN:** se puede programar el control de pared/control remoto de mano para usar con varios receptores o ventiladores. Si no desea hacer esto, apagar el interruptor de cualquier otro receptor o ventilador programable.

Conectar la electricidad y luego, si se instaló el control de pared, poner el interruptor corredero en el control de pared en posición ON (encendido). Dentro de 60 segundos de haber prendido el control de pared, oprimir el botón **OFF** en el control de pared por 5 segundos o hasta que la luz parpadee dos veces.

**Cortar la corriente de nuevo por 5 segundos como mínimo** y luego volver a conectar la electricidad. Dentro de 60 segundos de haber conectado la electricidad, oprimir el botón **OFF** en el lado principal del control remoto de mano por 5 segundos o hasta que la luz parpadee dos veces.

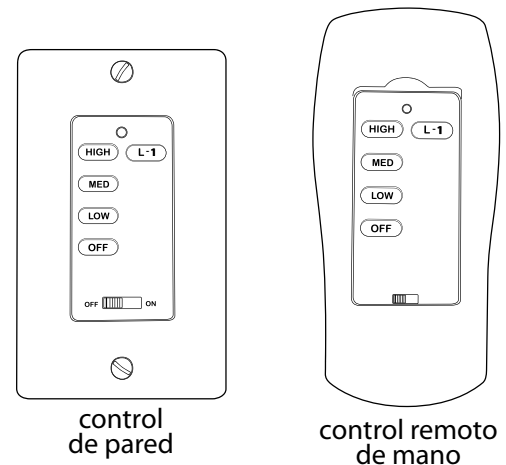
Poner a prueba las funciones del ventilador para confirmar que se haya terminado el proceso de aprendizaje--ver la sección 13.

## 12. Funcionamiento del control remoto.

Interruptor corredero - ENCIENDE y APAGA el *control de pared*  
**ON/OFF** (el interruptor corredero no funciona en el control de mano)

Botón **HIGH** - pone el *ventilador* en velocidad ALTA  
Botón **MED** - pone el *ventilador* en velocidad MEDIA  
Botón **LOW** - pone el *ventilador* en velocidad BAJA  
Botón **OFF** - APAGA el *ventilador*

Botón **L1** - ENCIENDE/APAGA el *juego de luz* cuando se oprime el botón una vez; al presionar el botón y mantenerlo presionado, atenúa la luz.



## 13. Verificación del funcionamiento del ventilador.

Se le recomienda poner el ventilador a prueba antes de terminar la instalación. Regresar la corriente de electricidad en el cortacircuitos y el interruptor de la luz (si se aplica). Poner a prueba el control de pared (instalación opcional) localizando el interruptor corredero de APAGADO y ENCENDIDO en el control de pared, luego ponerlo en posición de ENCENDIDO (ON). Poner a prueba la luz y la función del reductor de luz y después las velocidades del ventilador. Luego, localizar el control remoto de mano. Poner a prueba la función de luz de APAGADO y ENCENDIDO con el botón L1; poner a prueba el funcionamiento del reductor de luz oprimiendo el botón L1 por hasta 5 segundos. Verificar las velocidades del ventilador con los diferentes botones de velocidad. Si el control de pared/control remoto de mano maneja todas las funciones de ventilador y luz, se ha(n) instalado bien la(s) batería(s). Si el control de pared y/o el control remoto de mano no controla(n) todas las funciones del ventilador/la luz, favor de referirse a la sección "Localización de fallas" para resolver cualquier asunto antes de comunicarse con el Servicio al cliente.

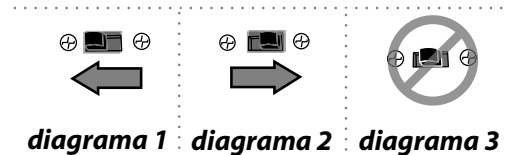
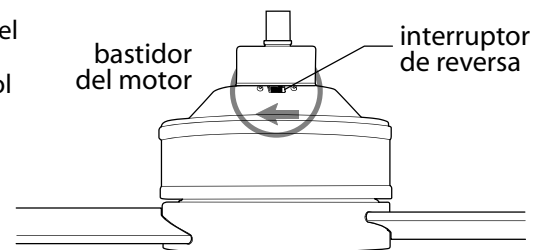
Apagar el ventilador completamente *antes* de mover el interruptor de reversa (que se encuentra en la parte superior del bastidor del motor). Regularlo para que se circule bien el aire dependiendo de las estaciones del año:

- posición IZQUIERDA en verano (**diagrama 1**)
- posición DERECHA en invierno (**diagrama 2**)

Un ventilador de techo le permitirá subir el termostato en verano y bajarlo en invierno sin notar una diferencia en su comodidad.

**Importante:** Hay que mover el interruptor de reversa o *completamente* hacia la IZQUIERDA o *completamente* hacia la DERECHA para que funcione el ventilador. Si el interruptor de reversa está puesto en la posición *de en medio* (**diagrama 3**), no funcionará el ventilador.

**NOTA:** Si el control de pared/control remoto de mano interfiere con otros aparatos, **primero cortar la corriente** y luego repetir las instrucciones de la sección 11.



## Localización de fallas.

**ADVERTENCIA:** *el no desconectar el suministro de fuerza eléctrica antes de hacer localización de fallas para cualquier problema de instalación eléctrica puede causar lesiones graves.*

**Problema:** El ventilador no funciona.

**Soluciones:**

1. Inspeccionar el interruptor de pared del ventilador/control de pared.
2. Verificar que el interruptor de reversa del ventilador está en una sola posición, no en medio de las dos.
3. Verificar la instalación eléctrica del control de pared (uso opcional).
4. Verificar la instalación eléctrica del ventilador.
5. Asegurarse de que se hizo correctamente la instalación eléctrica en el receptor.
6. Es posible que no tuvo éxito el proceso de aprendizaje entre el ventilador, el control remoto de mano y, si se aplica, el control de pared y que no se activó el código. Desconectar la electricidad y repetir las instrucciones de la sección 11 (página 11).
7. Averiguar que la luz roja se prende en el control remoto de mano cuando se oprima un botón, lo cual significa que sirve la batería.

**Problema:** El juego de luz no se ilumina.

**Soluciones:**

1. Inspeccionar el interruptor de pared del ventilador/control de pared.
2. Verificar que se instaló correctamente la bombilla.
3. Verificar que se hizo correctamente la conexión de cables en la cubierta decorativa.
4. Asegurarse de que se conectaron bien las conexiones molex en el conector para el juego de luz.
5. Es posible que no tuvo éxito el proceso de aprendizaje entre el ventilador, el control remoto de mano y, si se aplica, el control de pared y que no se activó el código. Desconectar la electricidad y repetir las instrucciones de la sección 11 (página 11).

**Problema:** El ventilador funciona pero la luz no.

**Soluciones:**

1. Verificar que se instaló correctamente la bombilla.
2. Verificar que se hizo correctamente la conexión de cables en la cubierta decorativa.
3. Reemplazar una bombilla defectuosa con el mismo tipo de bombilla.
4. Asegurarse de que se conectaron bien las conexiones molex en el conector para el juego de luz.

**Problema:** No funcionan el ventilador ni la luz con el control de pared y/o el control remoto de mano.

**Soluciones:**

1. Averiguar la carga de la batería en el control remoto de mano.
2. Es posible que no tuvo éxito el proceso de aprendizaje entre el ventilador, el control remoto de mano y, si se aplica, el control de pared y que no se activó el código. Desconectar la electricidad y repetir las instrucciones de la sección 11 (página 11).
3. Si se está usando el control de pared opcional, verificar si aún sirve la batería en el control de pared.

**Problema:** El ventilador se tambalea.

**Soluciones:**

1. Usar el juego para balancear las aspas incluido en uno de los paquetes de artículos de ferretería. *Si no se incluye un juego para balancear las aspas, llamar al Servicio al cliente, al 1-800-486-4892, para pedir uno.*
2. Averiguar que se apretó (apretaron) bien el (los) tornillo(s) de fijación en el cuello del bastidor del motor.
3. Averiguar que se apretó bien el tornillo de fijación en la bola que sirve para colgar.

## Garantía.

**GARANTIA LIMITADA DE POR VIDA DE CRAFTMADE™:** CRAFTMADE garantiza este ventilador al comprador original de grupo familiar para uso interior con las siguientes condiciones:

**GARANTIA DE 1 AÑO:** CRAFTMADE reemplazará o reparará cualquier ventilador que tenga funcionamiento deficiente debido a defectos en los materiales o trabajo manual. Comunicarse con el Servicio al cliente de CRAFTMADE al **1-800-486-4892** para acordar el reenvío del ventilador. Devolver el ventilador, con los gastos de envío prepagados, a Craftmade. Nosotros repararemos o reemplazaremos el ventilador y pagaremos los gastos de envío de regreso.

**GARANTIA DE 5 AÑOS:** CRAFTMADE reemplazará o reparará sin costo al comprador original, cualquier motor de ventilador que no funcione de manera satisfactoria a causa de uso normal.

**DEVOLVER EL MOTOR SOLAMENTE,** los gastos de envío prepagados, a Craftmade. Nosotros repararemos el motor al comprador o le enviaremos uno de reemplazo y Craftmade pagará los gastos de envío de regreso.

**GARANTIA LIMITADA DE 6 AÑOS hasta DE POR VIDA:** CRAFTMADE reparará el ventilador, sin costo al comprador original por el coste laboral, si el motor del ventilador no funciona satisfactoriamente a causa del uso normal. Las piezas que se utilizan en hacer la reparación serán facturadas al comprador a los precios prevalecientes en el momento de la reparación.

El comprador original será responsable de todos los gastos incurridos en sacar, reinstalar y enviar el producto para reparación.

Esta garantía no se aplica cuando el ventilador tenga daños por abuso mecánico, físico, eléctrico o por agua resultando en su mal funcionamiento. Se exenta específicamente el deterioro en el acabado u otras partes debido al tiempo o exposición al aire marino bajo esta garantía.

Ni Craftmade ni el fabricante se harán responsables por lo que pasa por una instalación inadecuada o el uso impropio de este producto. La compañía no se hará responsable en ningún caso de ningún daño emergente por incumplimiento de esta o cualquier otra garantía expresada o implicada en absoluto. Esta limitación de daños emergentes no se aplicará en estados donde es prohibido.

## Piezas de repuesto.

Para piezas o información, referirse al "Inventario de piezas" en la página 3. Servicio al cliente de Craftmade:

**1-800-486-4892**

[www.craftmade.com](http://www.craftmade.com)

# CRAFTMADE™