



by Acclaim lighting

1500 Cherokee Parkway, Suite 100, Acworth, GA 30102  
P: 866-845-5451 • F: 866-816-6165  
E: service@acclaim-lighting.com • www.acclaim-lighting.com

## Item No . BP8948 PENDANT INSTALLATION

Please read carefully and save these instructions, as you may need them at a later date.

### CAUTION

**WARNING:** Risk of Fire. Consult a qualified electrician to ensure correct branch circuit conductor. Min 90°C supply conductors.  
Turn off the main power at the circuit breaker before installing the fixture, in order to prevent possible shock.

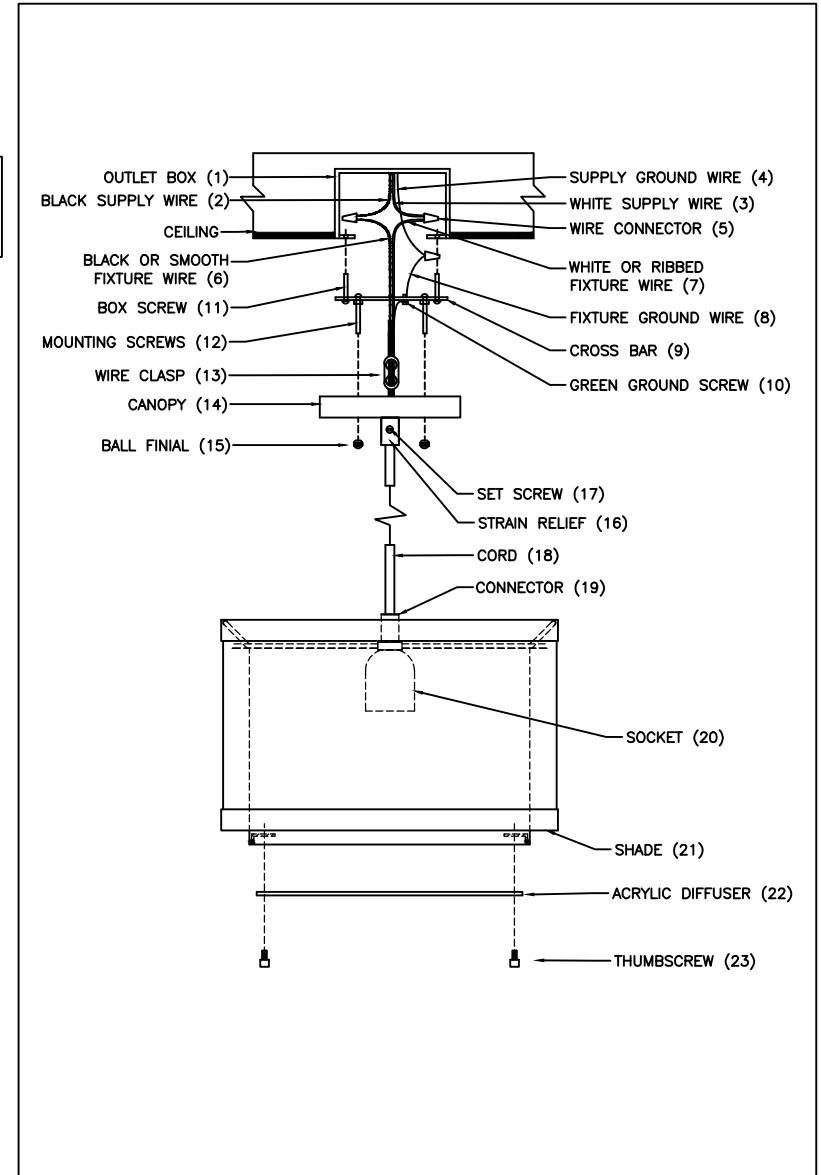
### GENERAL

All electrical connections must be in accordance with local and National Electrical Code (N.E.C.) standards. If you are unfamiliar with proper electrical wiring connections obtain the services of a qualified electrician. Remove the fixture and the mounting package from the box and make sure that no parts are missing by referencing the illustrations on the installation instructions.

### ASSEMBLY AND INSTALLATION FOR PENDANT

1. Remove the two ball finials (15) and remove crossbar (9) from canopy (14).
2. Loosen the set screw (17) on strain relief (16) outside of canopy.
3. Pass the cord through the wire clasp (13), cut the cord to desired length, making sure to leave 12" extra for wiring.
4. Thread two mounting screws (12) to the crossbar (9) and secure with the hex nut. Attach crossbar (9) to outlet box (1) using two box screws (11) provided with the outlet box. (Note: if the box screws with the outlet box are too short, use the 8-32 x 1" screws provided in the mounting hardware package).
5. Connect the white or ribbed fixture wire (7) to the white supply wire (3) in the outlet box using the twist-on wire connector (5) provided. Connect the black or smooth fixture wire (6) to the black supply wire (2) in the same manner. Install the fixture ground wire (8) and supply ground wires (4) onto the crossbar using the green ground screw (10) and wire connector.
6. Raise the canopy to the ceiling and carefully tuck the wires inside the outlet box (1). Spread the electrical splices so that the black wires are on one side of the outlet box and the white wires are on the other side. Line up mounting screws (12) with holes in canopy (14) and secure with ball finials (15), then tightening set screw (17).
7. Install a 100 watt maximum medium base bulb (not included) into socket (20).
8. Attach acrylic (22) to bottom of shade (21) and secure with thumbscrews (23).

INSTALLATION IS NOW COMPLETED, IF YOU NEED FLUSHMOUNT, PLEASE READ INTRUCTIONS FOR FLUSHMOUNT





by Acclaim lighting

1500 Cherokee Parkway, Suite 100, Acworth, GA 30102  
P: 866-845-5451 • F: 866-816-6165  
E: service@acclaim-lighting.com • www.acclaim-lighting.com

## Item No . BP8948 FLUSHMOUNT INSTALLATION

Please read carefully and save these instructions, as you may need them at a later date.

### CAUTION

**WARNING:** Risk of Fire. Consult a qualified electrician to ensure correct branch circuit conductor. Min 90°C supply conductors.

Turn off the main power at the circuit breaker before installing the fixture, in order to prevent possible shock.

### GENERAL

All electrical connections must be in accordance with local and National Electrical Code (N.E.C.) standards. If you are unfamiliar with proper electrical wiring connections obtain the services of a qualified electrician. Remove the fixture and the mounting package from the box and make sure that no parts are missing by referencing the illustrations on the installation instructions.

### ASSEMBLY AND INSTALLATION FOR FLUSHMOUNT

1. Loosen the set screw (16) on strain relief (15) outside of canopy(13).
2. Remove the two ball finials (14) and remove crossbar (9) from canopy (13). Remove the wire clasp and the canopy (13) from cord (18).
3. Cut the cord (18) to desired length, making sure to leave 12" exit of connector (19).
4. Feed the cord (18) through nipple (17) and attach to bottom of the strain relief (15) as shown. (Note: the nipple is provided in the mounting hardware package).
5. Thread the canopy (13) onto the connector (19) , then tightening set screw (16)
6. Thread two mounting screws (12) to the crossbar (9) and secure with the hex nut. Attach crossbar (9) to outlet box (1) using two box screws (11) provided with the outlet box. (Note: if the box screws with the outlet box are too short, use the 8-32 x 1" screws provided in the mounting hardware package).
7. Connect the white or ribbed fixture wire (7) to the white supply wire (3) in the outlet box using the twist-on wire connector (5) provided. Connect the black or smooth fixture wire (6) to the black supply wire (2) in the same manner. Install the fixture ground wire (8) and supply ground wires (4) onto the crossbar using the green ground screw (10) and wire connector.
8. Raise the canopy to the ceiling and carefully tuck the wires inside the outlet box (1). Spread the electrical splices so that the black wires are on one side of the outlet box and the white wires are on the other side. Line up mounting screws (12) with holes in canopy (13) and secure with ball finials (14).
9. Install a 100 watt maximum medium base bulb (not included) into socket (20).
10. Attach acrylic (22) to bottom of shade (21) and secure with thumbscrews (23).

INSTALLATION IS NOW COMPLETED, IF YOU NEED PENDANT, PLEASE READ INTRUCTIONS FOR PENDANT

