

# INSTALLATION AND SAFETY INSTRUCTIONS

## FOR YOUR SAFETY WARNING

BE SURE THE ELECTRICITY TO THE WIRES YOU ARE WORKING ON IS SHUT OFF; EITHER THE FUSE IS REMOVED OR THE CIRCUIT BREAKER IS SHUT OFF. GENERAL You don't need special tools to install this fixture. Be sure to follow the steps in the order given. Under no circumstances should a fixture be hung on house electrical wires, nor should a swag type fixture be installed on a ceiling which contains a radiant type heating system. Read instructions carefully. If you are unclear as to how to proceed, consult a qualified electrician. NOTE: Proper wiring is essential for the safe operation of this fixture.

## GENERAL

You don't need special tools to install this fixture. Be sure to follow the steps in the order given. Under no circumstances should a fixture be hung on house electrical wires, nor should a swag type fixture be installed on a ceiling, which contains a radiant type heating system. Read instructions carefully. If you are unclear as to how to proceed, consult a qualified electrician.

NOTE: Proper wiring is essential for the safe operation of this fixture.

## FIXTURE ASSEMBLY

Carefully removed the fixture from the carton and check that all parts are included as shown in figure. Be careful not to misplace any of the screws or parts, which are needed to install this fixture.

## INSTALLATION

**IMPORTANT:** Do not attach fixture directly to outlet box.

**STEP 1:** The hanging pipe for this fixture includes 1pc X 3", 1pcs X 6", 6pcs X 12" of pipes, choose desired installation height. Thread pipe (H) to the nipple (I). Put the fixture wires through each pipe to be used. Thread all the connected pipes to the fixture nipple (J).

**STEP 2:** Pass fixture wires through swivel (F) in canopy (E) and screw top end of pipe assembly into swivel (F).

**STEP 3:** Attach two mounting screws (C) to mounting strap (A) and tighten with hex nuts (B). Secure mounting strap (A) to outlet box by threading outlet box screw (D) through the key hole.

## GROUNDING INSTRUCTIONS

**STEP 1: NEVER CONNECT GROUND WIRE TO BLACK OR WHITE POWER SUPPLY WIRES.**

**STEP 2:** Take note of the color of the wire(s) on your fixture.

Identify which group your fixture wire(s) falls into and connect the wires according to the directions below:

GROUP A: Connect to Black House Wire	GROUP B: Connect to White House Wire
BLACK	WHITE
*PARALLEL WIRE ( round & smooth)	*PARALLEL WIRE ( square & ridged)
WHITE OR GREY WITH TRACER	WHITE OR GREY WITHOUT TRACER
BROWN GOLD OR BLACK WITHOUT TRACER	BROWN, GOLD OR BLACK WITH TRACER

\*NOTE: When parallel wire (SPT-1 & SPT-2) is used, the tracer wire is square shaped or ridged and the less tracer wire is round in shape or smooth (seen best when viewed from wire end.)

**STEP 3:** Take your fixture wire(s) from group A and place evenly against the black wire from the outlet box. Do NOT twist wires together before using wire connectors.

**STEP 4:** Fit a wire connector (not supplied) over the wires and

**STEP 5:** Connect the fixture wire from group B to the white wire from the outlet box in the same manner. Make sure no bare wires can be seen outside wire connectors. screw the connector clockwise until you feel a firmness.

If you can pull the connector off, carefully re-do steps 3 and 4, as above, and check again for a firm connection

## FINAL ASSEMBLY

**STEP 1:** After the wires connected, raise canopy (E) so the two mounting screws (C) protrude through the holes on canopy (E) then tighten with finials (G).

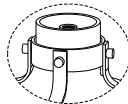
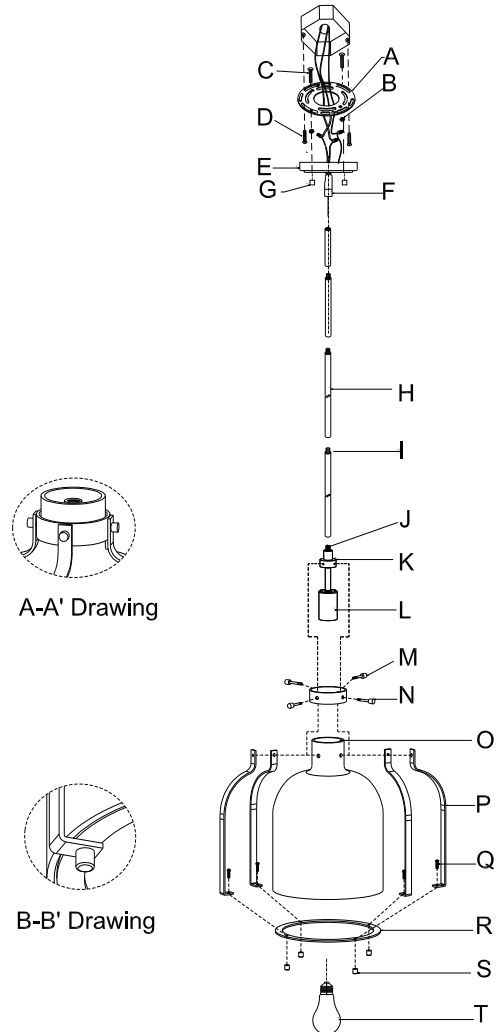
**STEP 2:** Place check ring (M) onto glass shade (O), raise glass shade (O) into inner ring (K), align the screw holes on the check ring (M) with inner ring (K), put the thumb screw (N) through arms (P) and secure the arm (P) and glass shade (O) to inner ring (L), (See A-A' for the glass shade completed drawing). Secure the arm (P) to the bottom ring (R) with screw (Q) and threaded stud (S). (See B-B' for the completed drawing)

## CLEANING

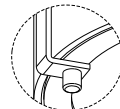
To clean, wipe fixture with a soft cloth. Clean glass with a mild soap. Do not use abrasive materials such as scouring pads or powders, steel wool or abrasive paper.

## ORDERING PARTS

Keep this sheet for future reference, and in case you need to order replacement parts. All parts for this fixture can be ordered from place of purchase. Be sure to use exact wording from illustration when ordering parts.



A-A' Drawing



B-B' Drawing

Line art shown may not exactly match the fixture enclosed. However, the installations do apply to this fixture.

ITEM NO:818-9, 818-12