

RLF-1107

1" LED MICRO TRIMMED
RECESSED DOWNLIGHT



Fixture Type
Project
Notes



LED Micro Trimmed Downlights series is designed for residential and commercial spaces. No housing is required for remodel applications. Mounting frame with hanger bars optional for New Construction applications. Trim is sold separately and remote driver is included. Power supply rated for feed through wiring.



SPECIFICATIONS

INPUT VOLTAGE	120V AC
WATTAGE	7 W
LUMENS	500 Lm
EFFICACY	71 Lm/W
CRI	90+
BEAM ANGLE	30°
DIMMING ¹	TRIAC Dimming
CUT-OUT	2-1/8" Ø

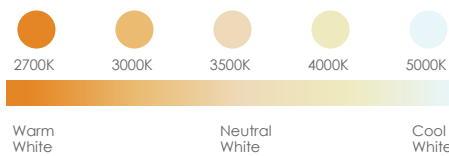
RATINGS	IC, Airtight
ENVIRONMENT	Indoor - Dry, Damp & Wet
CERTIFICATIONS	cETLus, T24 Compliant
LUMEN MAINTENANCE	50,000 hours
INCLUDES	Remote Driver
OPTIONAL ²	Trims and pre-mounting frame for new construction
WARRANTY ³	5 years

¹ Effectively dim down to 10%
² Sold separately
³ See published warranty terms for detailed information

PERFORMANCE

CCT selectable via switch on heatsink

COLOR TEMPERATURE ³	LUMEN ⁴	WATTAGE	EFFICACY	CRI
SW5 (27/30/35/40/50K) ⁵	500 Lm	7 W	71 Lm/W	90+



³ CCT within +/-10%
⁵ Switchable CCT

ORDERING INFO

STEP 1 - Light Engine with LED

	MODEL RLF-1107	-	CCT / CRI SW5 SW5 - Switchable CCT (27/30/35/40/50) / 90 CRI
--	--------------------------	---	--

STEP 2 - Trim (sold separately)

	MODEL RLT-1101 - Round Trim	-	FINISH WH - White
	RLT-1106 - Square Trim		BK - Black

OPTIONAL ACCESSORY

(Sold separately)

	MODEL RLH-23354-NC-UNI Multi-size new construction pre-mounting frame with bars. For cutout sizes: 2-1/8", 2-7/8", 3-3/4" or 5-1/4"
--	--

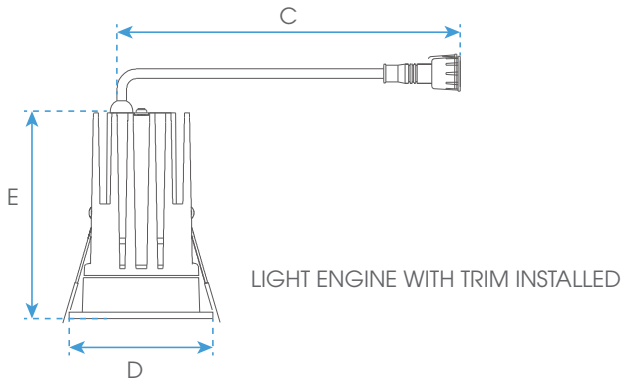
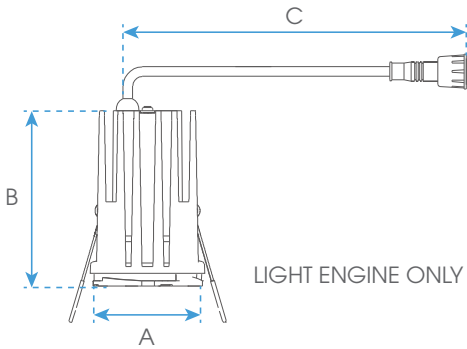
RLF-1107

1" LED MICRO TRIMMED
RECESSED DOWNLIGHT

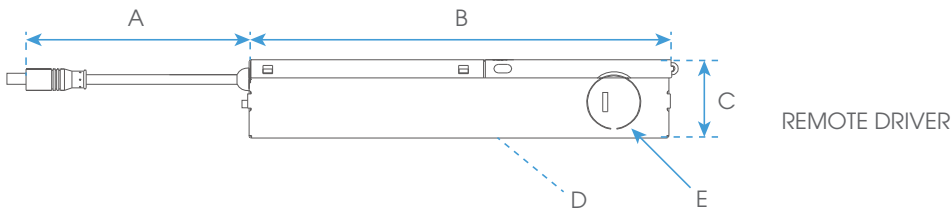


Fixture Type
Project
Notes

TECHNICAL DRAWING



DIMENSIONS	
A	1-7/8" 48 mm
B	2-7/8" 73 mm
C	7-1/4" 184 mm
D	2-3/8" 60 mm
E	3-3/8" 85 mm

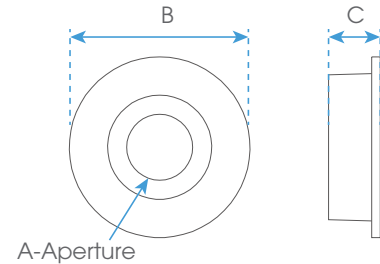


DIMENSIONS	
A	7" 178 mm
B	6-7/8" 175 mm
C	1-1/4" 32 mm
D	1-1/4" 32 mm
E	Trade size 1/2" Knockout

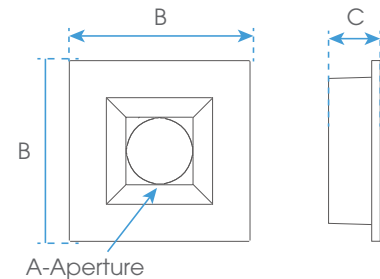
TRIM OPTIONS (Sold separately)



PART NUMBER	RLT-1101
DESCRIPTION	Round Trim
ENVIROMENT	Indoor, Wet
DIMENSIONS	A: 1" (22 mm) x B: 2-3/8" (60 mm) x C: 3/4" (19 mm)



PART NUMBER	RLT-1106
DESCRIPTION	Square Trim
ENVIROMENT	Indoor, Wet
DIMENSIONS	A: 1" (22 mm) x B: 2-3/8" (60 mm) x C: 3/4" (19 mm)



COMPATIBLE DIMMERS

COOPER	SI06P
LEVITON	6621, 6672, IPL06-10Z
LUTRON	PD-6WCL, DVCL-153P, SFTU-5A3P, DMD-LE3-D, CTCL-153P, DV-600P