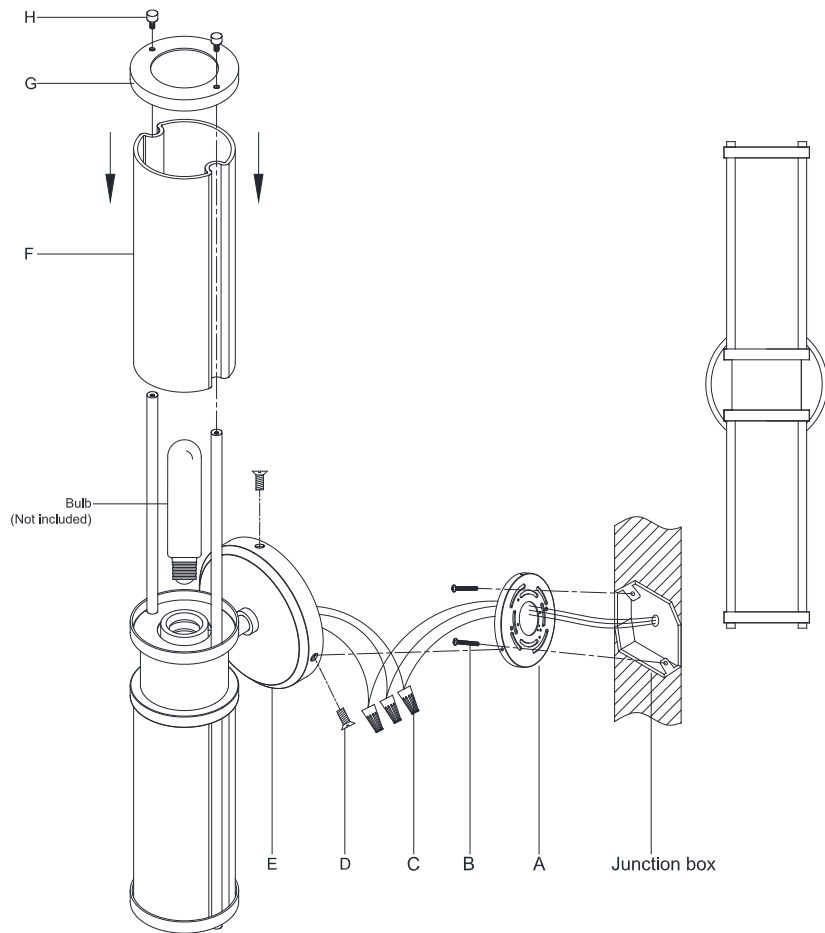


## ASSEMBLY INSTRUCTIONS



## Lichfield Double Sconce

Item # RL 2093

### NOTICE:

This light fixture should be installed in accordance with all applicable, local installation codes, and by a person familiar with the construction and operation of it, as well as the hazards involved. Inspect item and contents carefully. If any damage or defect is found, do not install. Retain all packaging material until installation is complete and approved.

1. Carefully remove all parts from the box.
2. Remove the mounting plate (A) from the fixture backplate (E) by loosening the side screws (D).
3. Install the mounting plate (A) onto the junction box and secure with the mounting screws (B).
4. Wrap the fixture ground wire to the green ground screw on the mounting plate (A) and secure, then connect to the ground wire in the junction box using the wire nut (C).

IT IS IMPERATIVE THAT THIS FIXTURE BE GROUNDED.

5. Connect the fixture white wire to the neutral wire in the junction box using the wire nut (C).
6. Connect the fixture black wire to the hot wire in the junction box using the wire nut (C).

DO NOT REVERSE THE HOT AND NEUTRAL CONNECTIONS OTHERWISE SAFETY WILL BE COMPROMISED.

7. Tuck the wire connections neatly into the junction box carefully.
8. Install the fixture backplate (E) onto the mounting plate (A) and secure with the side screws (D).
9. Remove the metal ring (G) from the fixture by loosening the screws (H).
10. Insert bulb (not included) into the socket.
11. Attach the glass shade (F) and metal ring (G) to the fixture and secure with the screws (H).
12. Installation is complete, turn on power at fuse or circuit breaker.

Care Instructions: Clean only with a soft dry cloth or feather duster. Do not use abrasive or chemical agents.

# RALPH LAUREN

