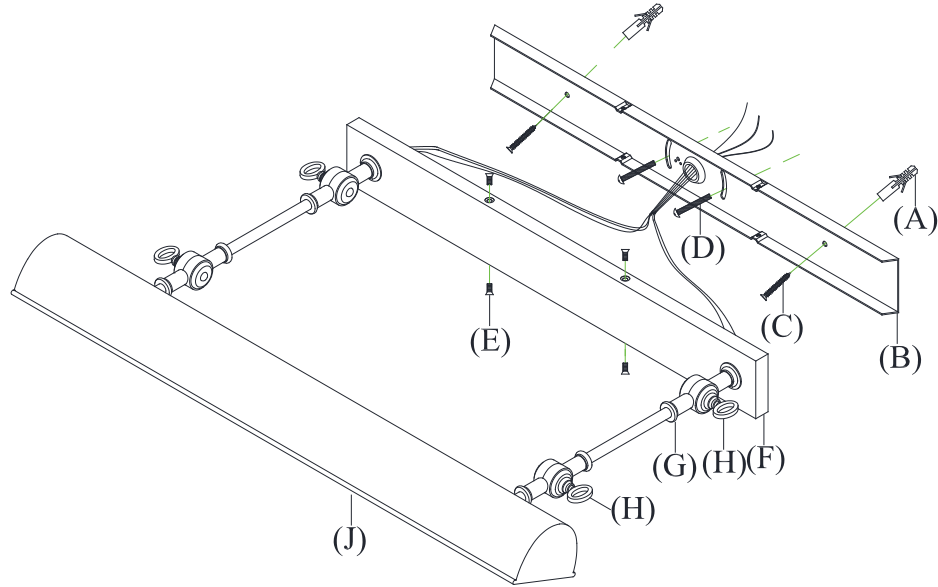


ASSEMBLY INSTRUCTIONS



Anette 16" Picture Light

Item # RL2276

NOTICE:

This light fixture should be installed in accordance with all applicable, local installation codes, and by a person familiar with the construction and operation of it, as well as the hazards involved. Inspect item and contents carefully. If any damage or defect is found, do not install. Retain all packaging material until installation is complete and approved.

7. Attach fixture base (F) to the affixed mounting plate (B) and secure with base screws (E).
8. Insert light bulbs into sockets.
9. Installation is complete. Restore power and test fixture.

ADJUSTMENT INSTRUCTIONS

1. Loosen adjustment keys (H).
2. Adjust shade (J) and arm (G) to desired position.
3. Tighten the adjustment keys (H).

Care Instructions: Clean only with a soft dry cloth or feather duster. Do not use abrasive or chemical agents.

RALPH LAUREN

