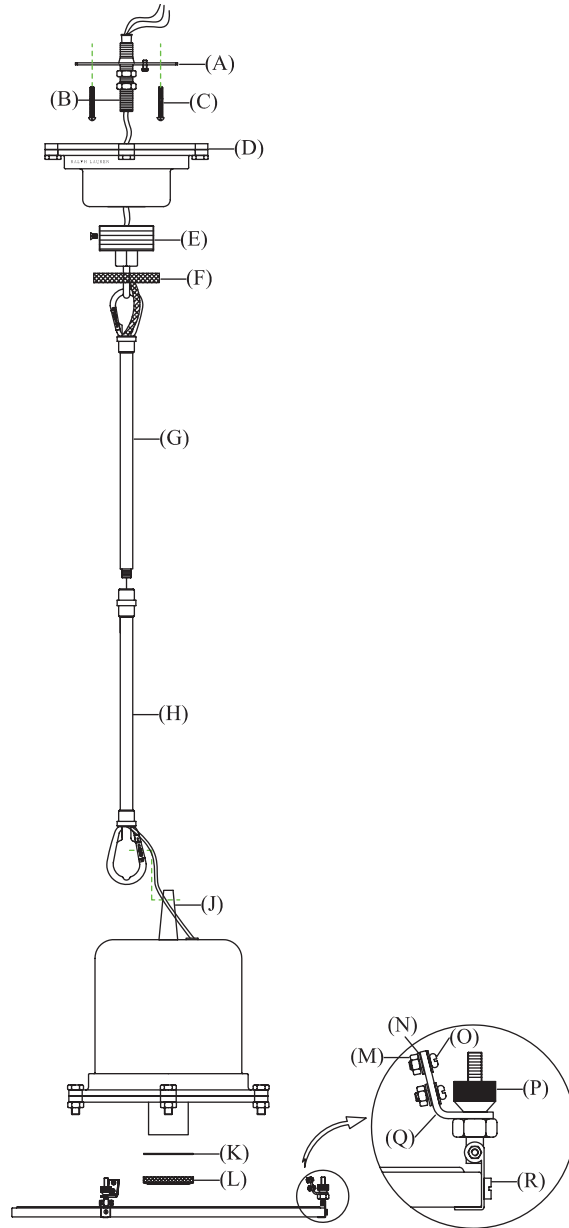


ASSEMBLY INSTRUCTIONS



Fulton Medium Pendant

Item # RL 5121

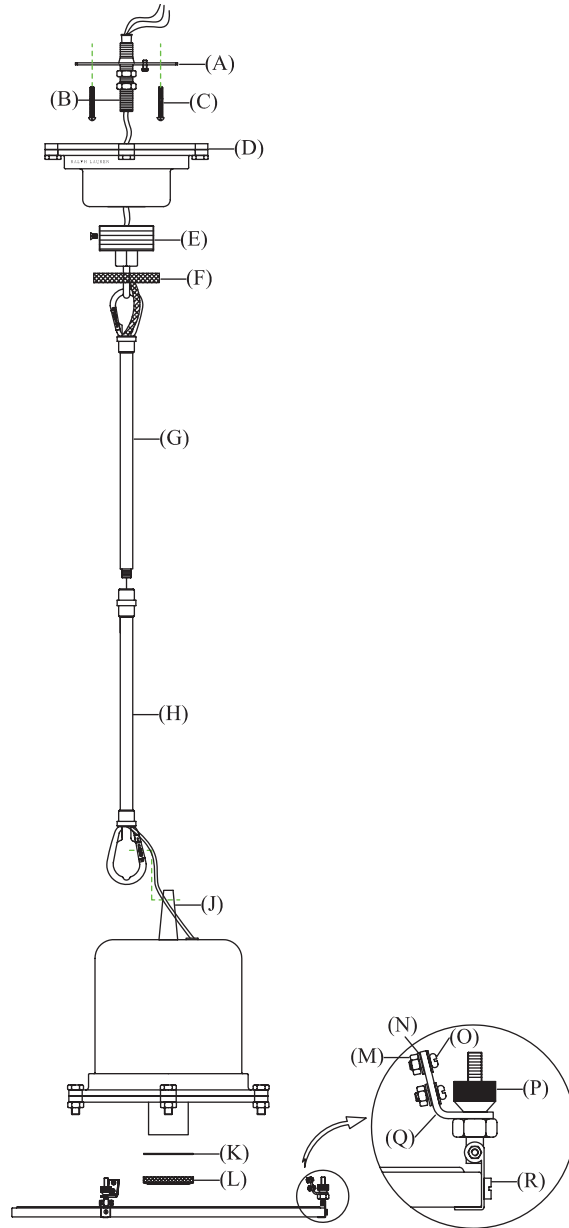
NOTICE:

This light fixture should be installed in accordance with all applicable, local installation codes, and by a person familiar with the construction and operation of it, as well as the hazards involved. Inspect item and contents carefully. If any damage or defect is found, do not install. Retain all packaging material until installation is complete and approved.

1. Remove socket ring (L) and washer (K) from the socket.
2. Remove bending plates (O) from nipple by unscrewing thumbscrews (P), and remove screws (O) from bending plate (O) by unscrewing washers (N) and nuts (M).
3. Attach bending plate (O) to lamp shade (not included), and letting screws (O) pass through the holes of lamp shade, and secure with washers (N), nuts (M).
4. Attach lamp shade to shade holder, and secure with washer (K) and socket ring (1).
5. Insert light bulb (not included) into socket.
6. Remove thumbscrews (P) from nipple, and attach assembly part with glass (R) into the hole of plate (O), and tighten with thumbscrews (P).
7. Attach upper pole (G) to lower pole (H) and tightening by turning pole (G) in counter-clockwise directions.
8. Hook lamp pole (G) to mounting loop (E) and assembly part (J). (See left illustration)
9. Unscrewing the canopy ring (F) from chain mounting loop (E) and slide canopy (D) and canopy ring (F) on pole.
10. Feed wire through pole (G) canopy ring (F), canopy (D) and mounting loop (E).
11. Attach mounting strap (A) to ceiling outlet box using mounting screws (C) provided.
12. Insert threaded nipple (B) in mounting strap (A). Using pliers, thread one of hex nut to nipple (B) to secure.
13. Attach chain mounting loop (E) to thread nipple using the ceiling loop screw.

RALPH LAUREN

ASSEMBLY INSTRUCTIONS



Fulton Medium Pendant

Item # RL 5121

NOTICE:

This light fixture should be installed in accordance with all applicable, local installation codes, and by a person familiar with the construction and operation of it, as well as the hazards involved. Inspect item and contents carefully. If any damage or defect is found, do not install. Retain all packaging material until installation is complete and approved.

14. Attach the ground wire (silver or brass in color) from the fixture to the ground junction box wire (usually green or copper wire). Fasten together with a plastic wire connector and wrap the connection with electrical tape. Be sure no wire strands are exposed. It is imperative that the outlet box in your home be properly grounded. Be sure no wire strands are exposed.
15. Connect the neutral wire from the fixture (ridges molded wire) to the neutral wire from the junction box (usually white). Fasten together with a plastic wire connector and wrap the connection with electrical tape. Be sure no wire strands are exposed.
16. Connect the hot wire from the fixture (smooth wire) to the hot wire (usually black) from the junction box. Fasten each together with a plastic wire connector and wrap the connection with electrical tape. Be sure that no wire strands are exposed.
DO NOT REVERSE THE HOT AND NEUTRAL CONNECTIONS
OTHERWISE SAFETY WILL BE COMPROMISED.
17. Tuck wire connection neatly into ceiling outlet box.
18. Slip canopy (D) to ceiling and secure with threaded canopy ring (F).

are Instructions: Clean only with a soft dry cloth or feather duster. Do not use abrasive or chemical agents.

RALPH LAUREN

