

*****READ & SAVE THESE INSTRUCTIONS *****
ACCESS LIGHTING
MODEL 23907/23908
INSTALLATION & OPERATION INSTRUCTIONS

(1) TOOLS AND MATERIALS REQUIRED

- ❖ BLADE SCREW DRIVER
- ❖ WIRE CUTTERS
- ❖ WIRING SUPPLIES AS REQUIRED BY ELECTRICAL CODE
- ❖ 6,8 x 40W/G-9 HGN Bulb

Attention:

Before assembling your lighting fixture, please read the following instructions. If you feel you do not have sufficient electrical experience, refer to a do-it-yourself wiring handbook or have your fixture installed by a qualified licensed electrician.

(2) GENERAL

1. To ensure the success of the installation, be sure to read these instructions and review the diagrams thoroughly before beginning.
2. All electrical connections must be in accordance with local codes, ordinances, or the National Electrical Code. If you are unfamiliar with methods of installing electrical wiring, secure the services of a qualified licensed electrician.
3. These fixtures are intended for mounting to a standard 4" x 2 1/4" deep metal octagon outlet box. The box must be directly supported by the building structure.
4. Before commencing with the installation, **disconnect the power by turning off the circuit breaker** or by removing the fuse at the fuse box. Turning the power off using the light switch is not sufficient to prevent electrical shock.

NOTE:

The important safeguards and instructions appearing in this manual are not meant to cover all possible conditions and situations that may occur. It must be understood that common sense, caution and care, are factors that cannot be built into any product. These factors must be supplied by the person(s) caring for and operating the fixture.

(3) UNPACKING THE FIXTURE

On checking the contents of the box you will find;

- ❖ Back Plate
- ❖ Crossbar
- ❖ Mounting Hardware
- ❖ Body of Fixture
- ❖ 6,8 x Bulb Covers
- ❖ 6,8 x Glass Shades
- ❖ 6,8 x Glass Retaining Rings

Do not install this fixture assembly closer than 6 inches from any curtain or similar combustible material.

(4) PREPARE THE FIXTURE

Refer to attached illustration of fixture parts and assembly.

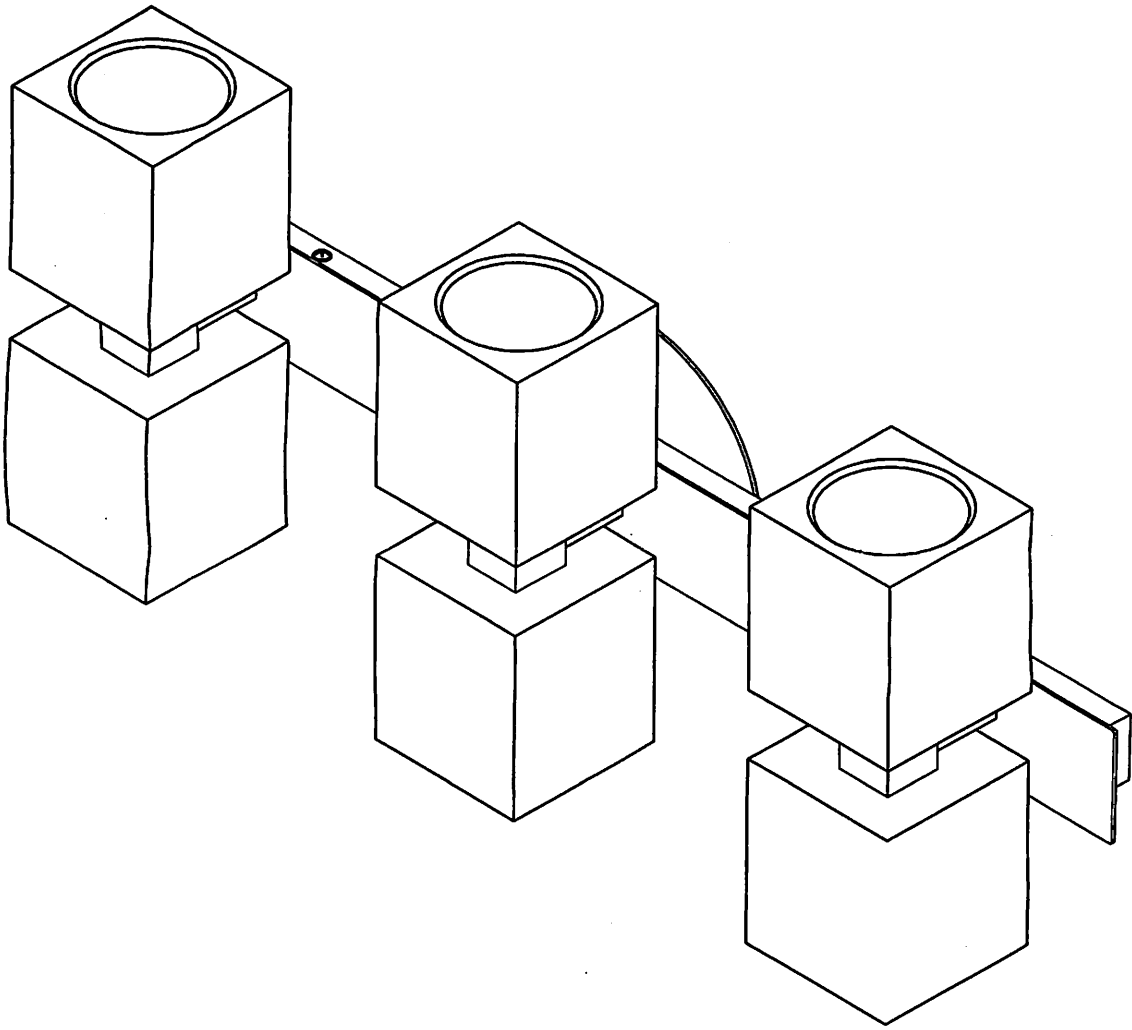
1. If you are replacing an existing fixture disconnect and remove the old fixture. Expose the supply wiring from the outlet box.
2. Secure the **Crossbar** to the junction box with the supplied **screws**.
3. Pull the Supply wires through the Center Hole in the **Back Plate**.
4. Connect the **BLACK supply wire** to the **Black wire** of the fixture with supplied **Wire Nuts (2)** ensuring a secure connection.
5. Connect the **WHITE supply wire** to the **White wire** from the fixture a secure with supplied **Wire Nuts (2)**.
6. Attach the **ground (GREEN) wire** from the fixture to the **outlet box ground terminal** (or to the box ground wire).
7. Secure all wire nuts connections with UL listed electrical tape.
8. Position the **Fixture Plate** over the **Back Plate** ensuring that the holes in the top and bottom of the **Fixture Plate** and **Back Plate** are lined up.
9. Secure **Fixture Plate** to the **Back Plate** with the supplied **screws**.
10. Slide the **Glass Shades** over the socket and secure with the **Glass Retaining Rings**.
11. Insert the **G9/40W HGN bulbs. DO NOT EXCEED WATTAGE SPECIFIED ON WARNING LABEL**
12. Slide the **Bulb Covers** into place.
13. Restore electricity and check the operation of your new lighting fixture.

CAUTION:

- **Ensure that the Fitting is Cool and Switched off, Before Changing the Bulb.**
- **Do Not use Bulbs Exceeding Maximum Wattage, As Per Caution Label.**
- **Do Not handle bulbs with bare hands, use supplied soft cloth.**
Warning-Risk of fire and electric shock.
Important safety instructions.
Do not install this fixture in hazardous locations.

a c c e s s

L I G H T I N G



23907

